

ATMOS IP20 LED PANEL LIGHT

This great quality, high specification, rectangular 1.2m panels deliver excellent performance providing substantial energy savings for fast ROI. They replace traditional T8 and T5 lay-in modular's to provide energy efficient, but perhaps more importantly, low-maintenance solutions where constant replacement of tubes can be avoided.



Applications:

- Offices
- Hospitals & Health Centres
- Shops
- Hotels
- Schools & Colleges
- Receptions
- Inspection areas

Construction:

- White powder coated aluminium frame
- Thermo-plastic diffuser
- Steel back plate

Features:

- Available in 1200 x 600 and 1200 x 300
- Slim, clean, stylish lines with white powder coated aluminium trim
- Neutral White colour temperature
- Utilises high quality, long life, SMD LED's
- Tested to IES LM80 and uses industry standard IES TM21 methods to verify Rated LED Life

Benefits:

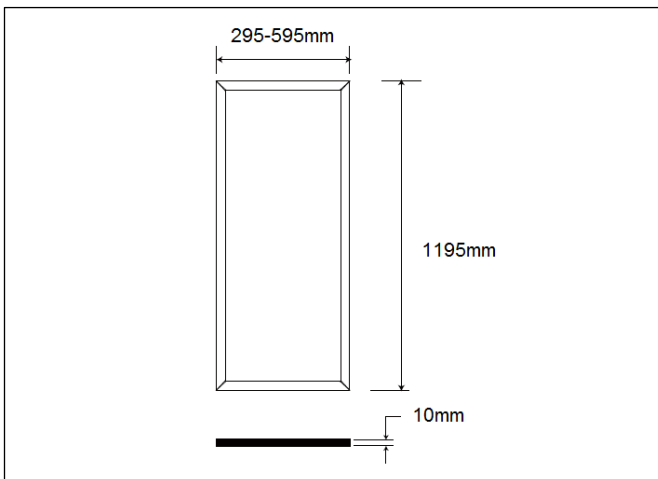
- Ideal for large grid installations
- Looks attractive, less likely to harbour germs or dirt, easy clean
- Matches most ceiling tile & grid T-bar colours
- Light colour suited to retail or commercial office applications
- Provides confidence that our performance claims are verified by testing to demonstrate:
 - High lumen output, low energy consumption and high efficacy
 - Long life, low lumen depreciation with insignificant colour shift
- The fitting therefore provides:
 - Low maintenance cost with no lamp changes
 - More light per watt than many similar LED fittings available
 - Comparable light output to T5 so is a one for one replacement
 - Light output and colour is consistent over life
 - Provides compliance with current & future efficacy legislation
- Automatic daylight harvesting or manual dimming options can be achieved for enhanced energy savings or functional control
- Provides emergency lighting for safe traverse of exit routes
- Allows maximum light transmission with reduced glare
- Rugged – will not fail through vibration or hot to cold temperature changes for huge maintenance cost savings
- Can be used in conjunction with presence detectors to provide “instant on” or off for additional energy savings
- Short-time switching is not detrimental to LED life as it is with traditional light sources
- Reduced eye discomfort which often causes headaches or drowsiness for susceptible people
- Provides options for solid or apex type ceiling installations

- Universal DALI, Analogue 1-10V, SwitchDim driver accessory for 1200 x 300mm fittings
- 3-hour emergency pack option
- Thermo-plastic diffuser
- Solid state technology
 - No heat filaments, electrodes or seals
- No cool down or warm up time

- Low flicker advanced driver architecture design
- Choice of suspension, recessed or surface mount accessories

ATMOS IP20 LED PANEL LIGHT

Product Code:	RAM40403012-01	RAM60406012-01*
Comparable to:	2x36W	4x36W
Total Power (W):	40.8	61.9
Total Light Output (lm):	3,380	5,330
Emergency Mode Light Output (lm):	300	450
Efficacy (lm / cctW):	83	87
Rated Life (hrs):	50,000	50,000
Warranty (yrs):	5	5
Illuminance at 1m (lux):	1,100	1,830
Emergency Mode Illuminance at 1m(lx):	75	90
Beam Angle (deg):	110	110
CCT (K):	4,000	4,000
CRI (Ra):	80	80
Ingress Protection (IP):	20	20
Impact Rating (IK):	IK05	IK05
Operating Temperature (°C):	-20 ≤ Ta ≤ +40	-20 ≤ Ta ≤ +40
Power Factor (PF):	0.97	0.97
Length (mm):	1,195	1,195
Width (mm):	295	595
Depth (mm):	10	10
Box Qty:	1	1
Weight (kg):	3.3	7.0

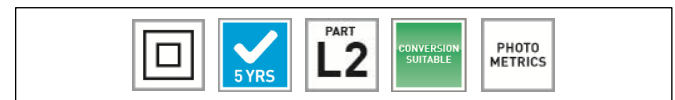


Accessories:

- R3EMPK-PSU** PLUG AND PLAY EMERGENCY PACK
- HED2040-D** DALI, 1-10V, SWITCHDIM DRIVER
*Not suitable for RAM60406012-01
- R30WPDVR** 30W DRIVER FOR USE WITH 40W ATMOS
- R60120SMKFB-01** 1200x600MM SURFACE MOUNT BOX
- R1230SMKFB-01** 1200x300MM SURFACE MOUNT BOX
- RAMSUS-3W** 3 WIRE SUSPENSION KIT FOR 1200x300MM
- RAMSUS-6W** 6 WIRE SUSPENSION KIT FOR 1200x600MM
- RAMSST** SAFETY BRACKET AND 2M STRAP
- RAMRC** PLASTER BOARD RECESSED CLIPS KIT

Standards & Approvals:

Complies with: EN 60598-2-1, EN 60598-2-2, EN 55015, EN 61000-3-2, EN 61000-3-3, EN 61547, EN 62471, EN 62493, EN 62384



Cone Illuminance Diagram:

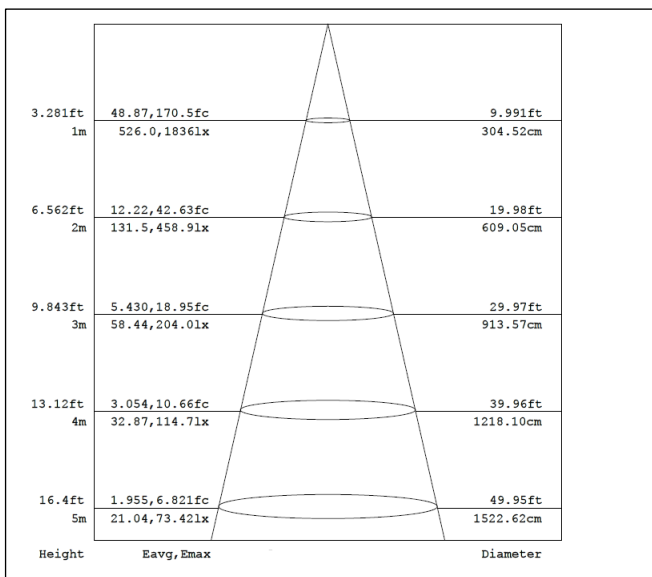


Diagram for RAM60406012-01 in 4,000K. Other diagrams available on request

Polar Intensity Diagram:

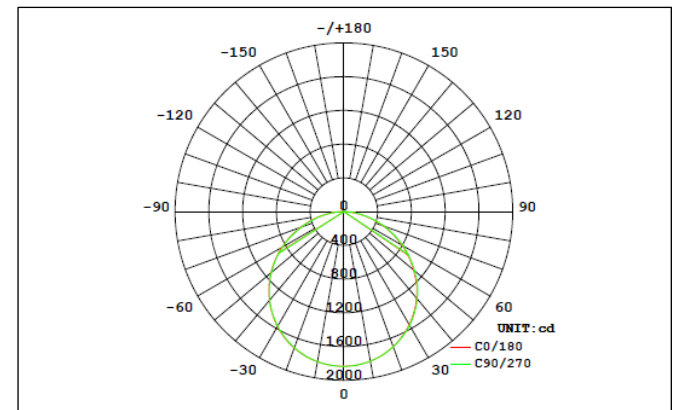


Diagram for RAM60406012-01 in 4,000K. Other diagrams available on request