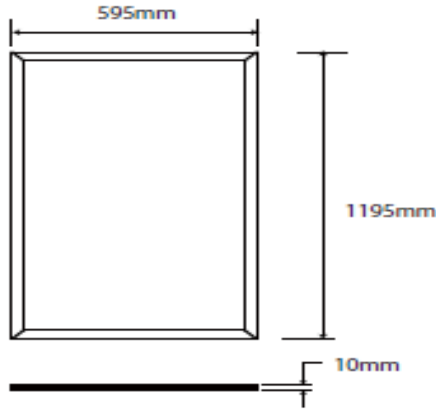


**PRODUCT Description**

**Features:**

**ATMOS 60W 600X1200 LED PANEL 4000K, WHITE**



60W, 4000k, 5200lm, 86lm/w  
High CRI>80, ideal for use in offices  
Energy efficient replacement for 4 x 36W fluoro fittings  
30,000 hours average lamp life  
Complete with 1m of flex from driver

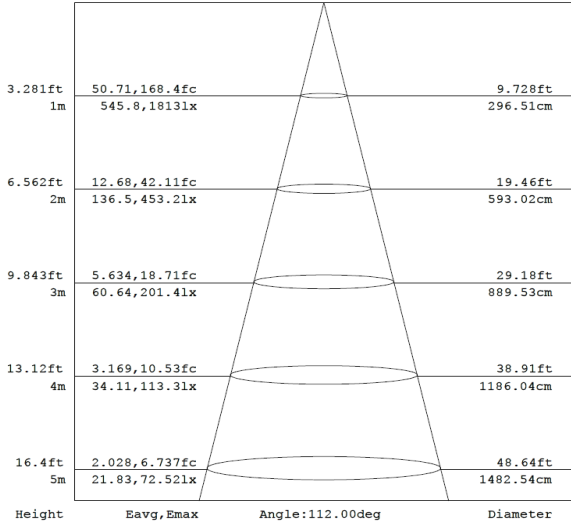
White alluminium frame

Complies with EN 60598-1, EN 60598-2-1, EN 62471  
EN 62493, EN 61000-3-2, EN61000-3-3, EN61000-3-2,  
EN 55015

Accessories:  
RAMSUS-3W  
R60120SMKD-01

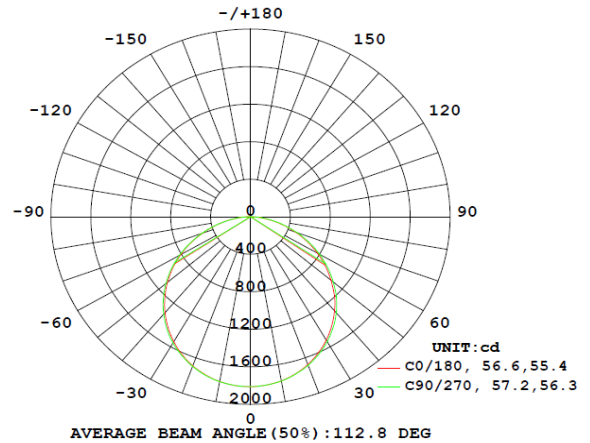
Model	Voltage	Power	Lumen	Lm/ W	CCT	CRI	PF	Ta Range	IP	IK
RAM60406012-01	200-240V ~ 50/60Hz	60W	5200lm	86 lm/ W	4000k	80	0.9	-25°C < Ta < +50°C	20	-

Flux out:3769 lm



Note: The Curves indicate the illuminated area and the average illumination when the luminaire is at different distance.

**LUMINOUS INTENSITY DISTRIBUTION DIAGRAM**



Model	Weight	Width	Height	Depth	Length	Diameter	Cut-out	B. Angle	Life	Class
RAM60406012-01	7 kg	595mm	-	10mm	1195mm	300mm	-	120°	30,000 Hours	Class II

PLEASE NOTE – INFORMATION CONTAINED IN THIS DOCUMENT IS SUBJECT TO CHANGE WITHOUT PRIOR NOTICE



LED Group  
Western Retail Park  
Nangor Road  
Dublin 12  
Ireland

Tel: +353 1 7099000  
Fax: +353 1 7099060  
Email: info@ledgrouprobust.com  
Website: www.ledgrouprobust.com

