

**ROBUS**<sup>®</sup>

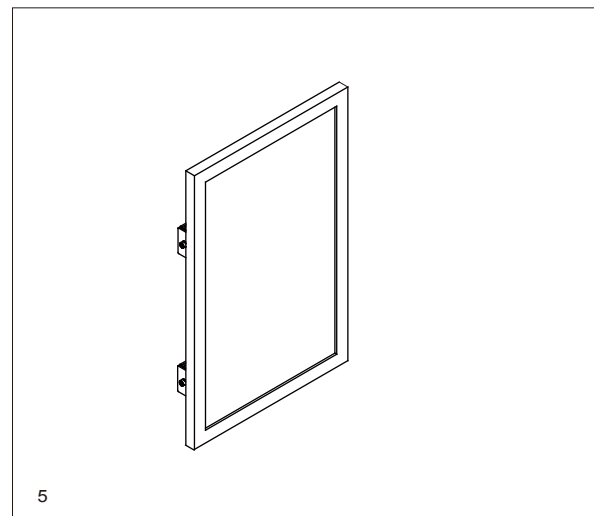
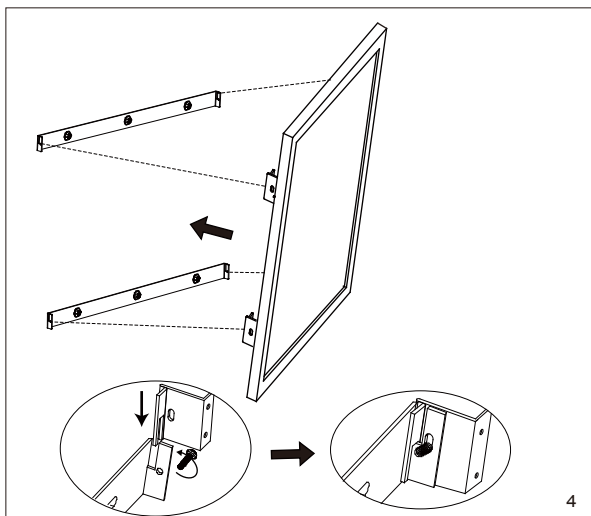
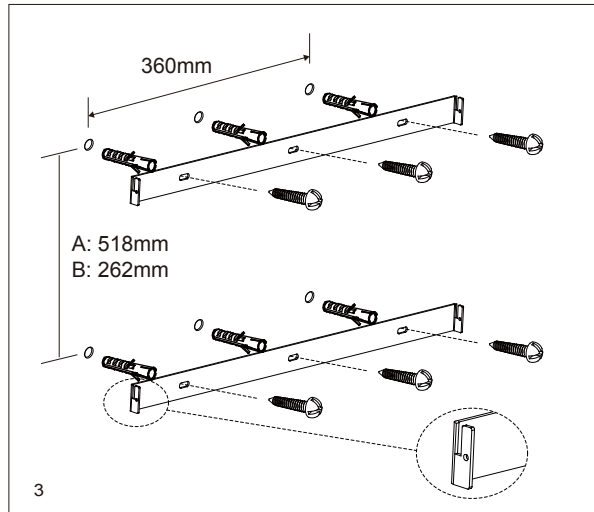
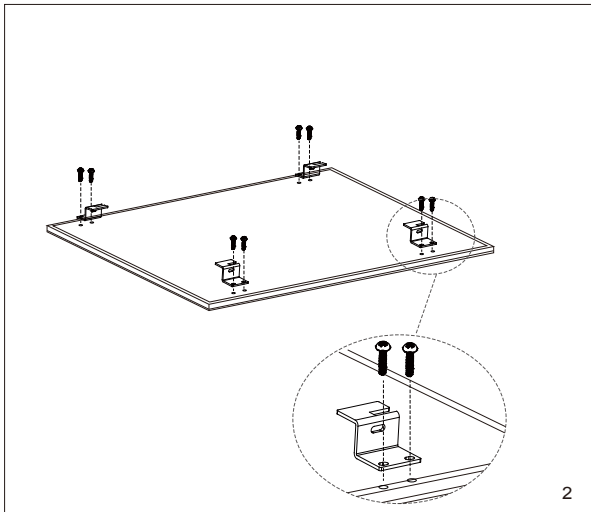
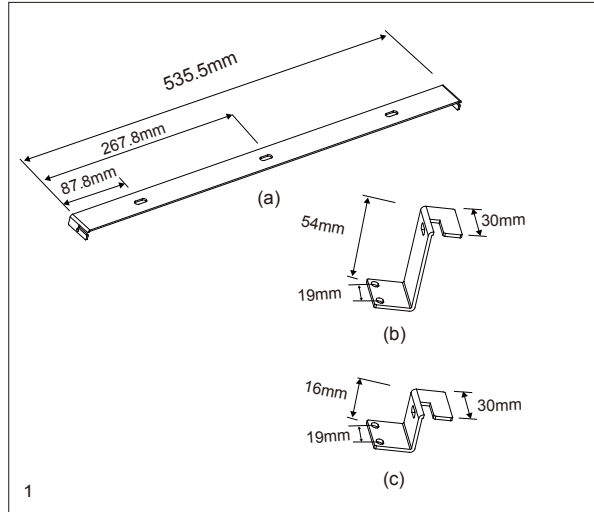
QUALITY PRODUCTS BY LED GROUP

**R6060SMKDN-01****SURFACE MOUNTED KIT, WHITE  
FOR 60X60 2 X BRACKETS**

PLEASE READ INSTRUCTION BEFORE COMMENCING INSTALLATION AND RETAIN FOR FUTURE REFERENCES. ! Electrical products can cause death or injury, or damage to property. If in any doubt about the installation or use of this product, consult a competent electrician. Note: Product technical information and specification may change over time without prior notification. For the latest technical information please visit our web site [www.ledgrouprobust.com](http://www.ledgrouprobust.com) or [robustdirect.com](http://robustdirect.com)

**Installation diagram:**

1. Ensure mains supply is switched off before commencing work
2. Attach brackets (4 or 6) to the back of the panel using screws provided, ensure they are secure. Note: the orientation of slots, ensure they are in the same direction
3. Mark fixing positions on surface for base plates, check location buried cables, pipes or other building services before drilling.
4. Fix the base plate to the surface using screws provided.  
Note: the orientation of slots on the base plate, ensure they are in the same direction
5. Place the LED panel into the base plates and slide into position.  
Using screws provided fix panel brackets to the base plate and ensure they are secure. Ensure that all screws are in the slots and that they are in tightly  
Note: ATMOS Fitting: Attach brackets to fitting using screws from the fitting. ( Figure 2)  
Choose the distance according to the location holes on the carboard ( Figure 3)

**LED Group**

Western Retail Park Tel: +353 1 7099000

Nangor Road Fax: +353 1 7099060

Dublin 12 Email: [info@ledgrouprobust.ie](mailto:info@ledgrouprobust.ie)Ireland Website: [www.ledgrouprobust.ie](http://www.ledgrouprobust.ie)

Issue 2 240615

**LED Group ROBUST Australia**

9/210 Queensport Road North Tel: +61 73893 1488

Murarrie Fax: +61 73112 1927

QLD 4172 Email: [purchases@ledgrouprobust.com.au](mailto:purchases@ledgrouprobust.com.au)Australia Website: [www.ledgrouprobust.com.au](http://www.ledgrouprobust.com.au)**LED Group Robust [ New Zealand Office ]**

4 Henderson Place, Penrose

Po Box 13642

Onehunga, Auckland

New Zealand

[www.ideal.co.nz](http://www.ideal.co.nz)[www.ledgrouprobust.com](http://www.ledgrouprobust.com)

**ROBUS**<sup>®</sup>

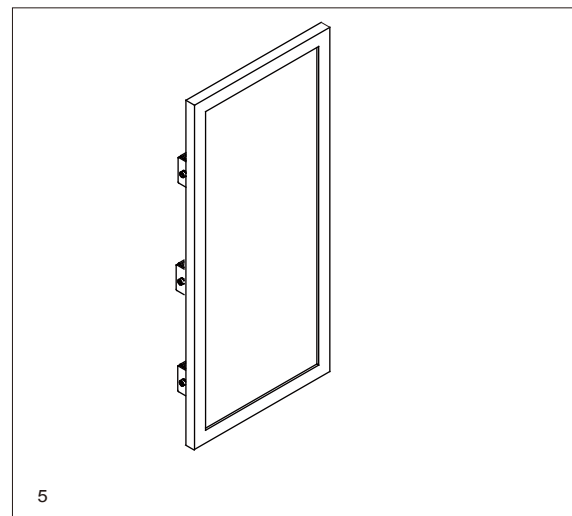
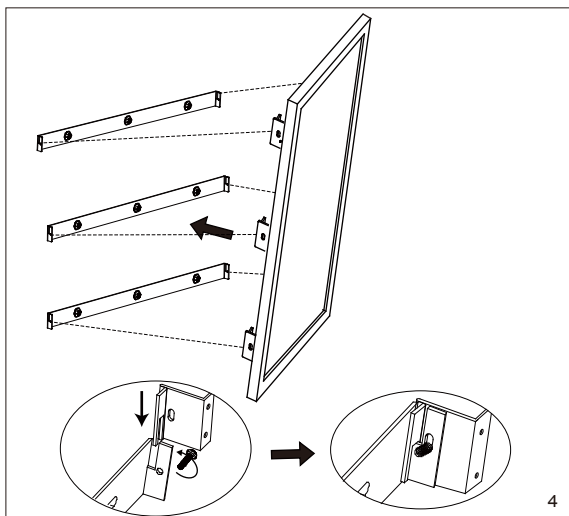
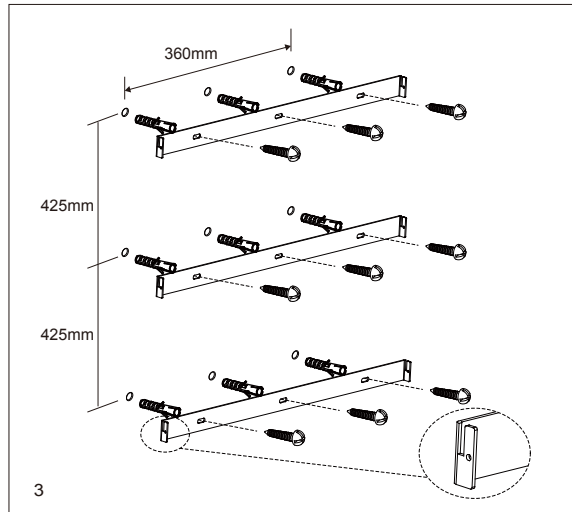
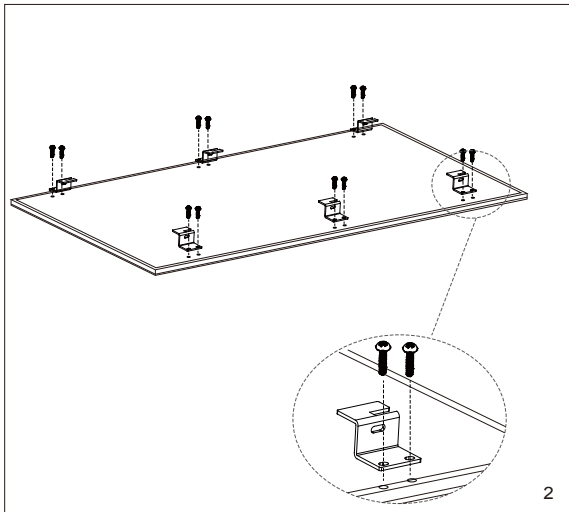
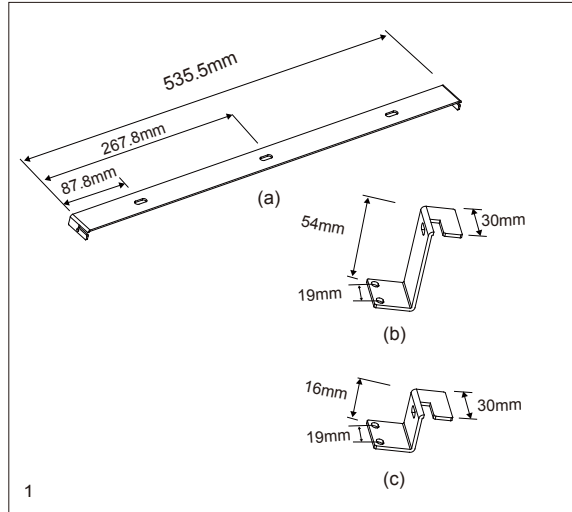
QUALITY PRODUCTS BY LED GROUP

**R60120SMKD-01****SURFACE MOUNTED KIT, WHITE  
FOR 60X120 3 X BRACKETS**

PLEASE READ INSTRUCTION BEFORE COMMENCING INSTALLATION AND RETAIN FOR FUTURE REFERENCES. ! Electrical products can cause death or injury, or damage to property. If in any doubt about the installation or use of this product, consult a competent electrician. Note: Product technical information and specification may change over time without prior notification. For the latest technical information please visit our web site [www.ledgrouprobust.com](http://www.ledgrouprobust.com) or [robustdirect.com](http://robustdirect.com)

**Installation diagram:**

1. Ensure mains supply is switched off before commencing work
2. Attach brackets (4 or 6) to the back of the panel using screws provided, ensure they are secure. Note: the orientation of slots, ensure they are in the same direction
3. Mark fixing positions on wall for base plates, check location buried cables, pipes or other building services before drilling.
4. Fix the base plate to the surface using screws provided.
5. Place the LED panel into the base plates and slide into position.  
Using screws provided fix panel brackets to the base plate ensure they are secure. Ensure that all screws are in the slots and that they are in tightly

**LED Group**

Western Retail Park Tel: +353 1 7099000

Nangor Road Fax: +353 1 7099060

Dublin 12 Email: [info@ledgrouprobust.ie](mailto:info@ledgrouprobust.ie)Ireland Website: [www.ledgrouprobust.ie](http://www.ledgrouprobust.ie)

Issue 2 240615

**LED Group ROBUS Australia**

9/210 Queensport Road North Tel: +61 73893 1488

Murarrie Fax: +61 73112 1927

QLD 4172 Email: [purchases@ledgrouprobust.com.au](mailto:purchases@ledgrouprobust.com.au)Australia Website: [www.ledgrouprobust.com.au](http://www.ledgrouprobust.com.au)**LED Group Robus [ New Zealand Office ]**

4 Henderson Place, Penrose

Po Box 13642

Onehunga, Auckland

New Zealand

[www.ideal.co.nz](http://www.ideal.co.nz)[www.ledgrouprobust.com](http://www.ledgrouprobust.com)