

These clean looking, slim profile, circular fittings are quick and simple to install and provide exceptional lighting performance, reliability and longevity. Utilising our tried and tested Edge-lit LED & Honeycomb light-guide technology to provide low glare indirect light, high efficacy values are achieved to make these fittings ideal for all types of lighting applications.



**Applications:**

- Commercial Offices and Corridors
- Hotel Function Rooms & Receptions
- Health Centre Waiting Rooms
- Bars & Restaurants
- Shops
- Retail showrooms

**Construction:**

- Die cast aluminium bezel and body
- Pressed steel back plate
- Opal diffuser
- Steel spring clips

**Features:**

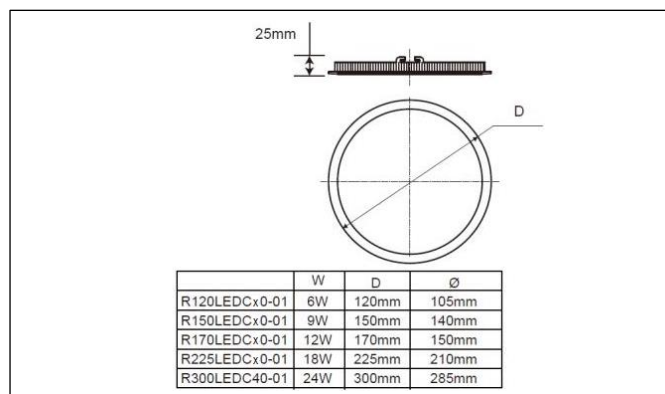
- Range of 5 Wattages & diameters
- Emergency, DALI or Analogue dimmable available
- White chamfered trim
- Slim profile body
- Opal diffuser with honeycomb light guide
- Die-cast aluminium body with integrated heat sink
- Utilises high quality surface mount 2835 SMD edge mounted LED technology which provides:
  - Exceptional indirect light output
  - Very low power consumption
  - Long Rated LED Life

**Benefits:**

- A full range for all building types, applications and room sizes
- Provides functional dimming or Daylight Harvesting energy saving
- Clean looking with virtually no projection below the ceiling
- The light appears to be emitted direct from the ceiling surface
- Fits within the thickness of the ceiling
- Ideal for shallow voids or where there are numerous other services
- Provides wide, uniform, indirect light, reducing discomfort glare associated with lower specification LED or traditional light sources
- Dissipates heat from the LED's to enhance LED and luminaire life
  - Compared to Compact Fluorescent:
  - Light output and colour is consistent over life
  - Comparable light output so a point for point replacement
  - Low energy consumption makes energy savings of up to 43% so reduces the buildings carbon footprint
  - Provides efficacies of  $\geq 70$  luminaire lumens/circuit watt
  - No maintenance costs or inconvenient disruption as is the case when traditional lamps are replaced
- No heat emitted so less cost for air conditioning in hot weather
- Will not tarnish metals, fade garments or other sensitive materials
- Choice of CCT for a relaxing warm ambience or task oriented applications, both with superior colour rendition
- No heat filaments or electrodes and seals to fail unlike traditional light sources which are susceptible to failure due to building vibration and the process of heating and cooling cycles
- Can be switched by microwave, PIR and/or photocell to provide even greater energy savings when lighting not required
- Allows driver connection in ceiling void at early stage of installation
- Fast and simple Driver female jack to Light Fitting male jack connection can be completed at a later date after fit out by other trades, ensuring the fitting it is not scratched or damaged

- Cool running with little Infra-red or Ultra-violet
- Available in a Warm and Neutral white colour temperature with high CRI
- Rugged solid state technology
- Plug & play connection:
- Fitting has factory pre-wired male jack
- High quality driver pre-wired with:
  - Mains side 1m flex
  - Secondary side female twist and lock jack connector

Product Code:	3,000K: 4,000K:	R120LEDC30-01 R120LEDC40-01	R150LEDC30-01 R150LEDC40-01	R170LEDC30-01 R170LEDC40-01	R225LEDC30-01 R225LEDC40-01	R300LEDC40-01
Comparable to CFL:		9	13	18	26	2x18
Total Power (W):		6.7/6.5	8.5/8.2	11.3/11.6	18.6/18	23
Total Light Output (lm):		400/430	530/560	820/850	1,330/1,420	1,740
Efficacy (lm / cctW):		60/66	62/68	73/73	72/79	76
Rated LED Life (hrs):		30,000	30,000	30,000	30,000	30,000
Warranty (yrs):		2	2	2	2	2
Illuminance at 1m (lx):		140/150	180/200	280/320	450/480	590
Beam Angle (deg):		110	110	110	110	110
CCT (K):		3,000/4,000	3,000/4,000	3,000/4,000	3,000/4,000	4,000
CRI (Ra):		80	80	80	80	80
Ingress Protection (IP):		20	20	20	20	20
Operating Temperature (°C):		-20 ≤ Ta ≤ +40	-20 ≤ Ta ≤ +40	-20 ≤ Ta ≤ +40	-20 ≤ Ta ≤ +40	-20 ≤ Ta ≤ +40
Output Current (mA):		0.2/0.2	0.2/0.2	0.3/0.3	0.54/0.5	0.75
Operating Voltage (Vac):		220-240	220-240	220-240	220-240	220-240
Cut Out (mm):		105	140	150	210	285
Power Factor (PF):		0.9	0.9	0.9	0.9	0.9
Diameter (mm):		120	150	170	225	300
Depth (mm):		25	25	25	25	25
Box Qty:		1	1	1	1	1
Weight (kg):		0.15	0.2	0.24	0.45	0.75



**Cone Illuminance Diagram:**

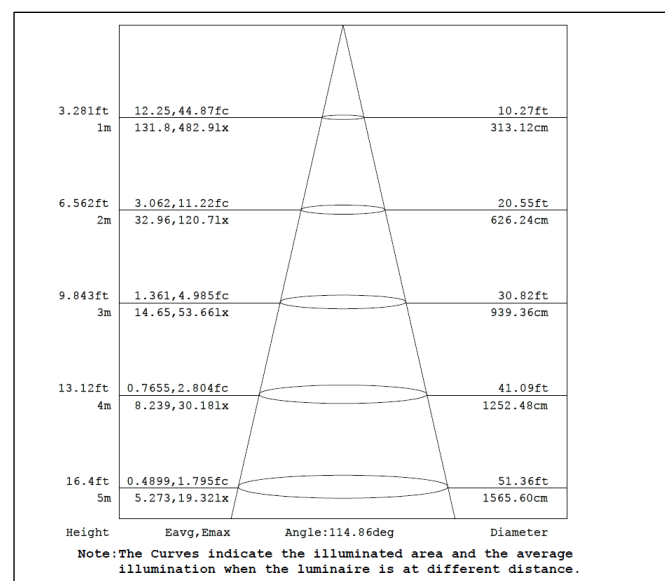


Diagram for R225LED40-01. Other diagrams available on request

**Accessories:**

- R18DIM-PSU 18W Dimmable Driver
- R24DIM-PSU 24W Dimmable driver

**Options via Conversions:**

Add postscript in **RED** to standard part code

- |                          |                                     |
|--------------------------|-------------------------------------|
| Postscript               | Option                              |
| RxxxLEDC40-01 <b>E</b>   | Std + Emergency                     |
| RxxxLEDC40-01 <b>AD</b>  | Std + Analogue Dimmable             |
| RxxxLEDC40-01 <b>ADE</b> | Std + Analogue Dimmable + Emergency |
| RxxxLEDC40-01 <b>DD</b>  | Std + DALI Dimmable                 |
| RxxxLEDC40-01 <b>DDE</b> | Std + DALI Dimmable + Emergency     |

**Standards & Approvals:**

Complies with: EN 60598-1, EN 60598-2-2, EN 62471, EN 62471-2, EN 62778, EN 62493, EN 55015, EN 61000-3-2, EN 61000-3-3



**Polar Intensity Diagram:**

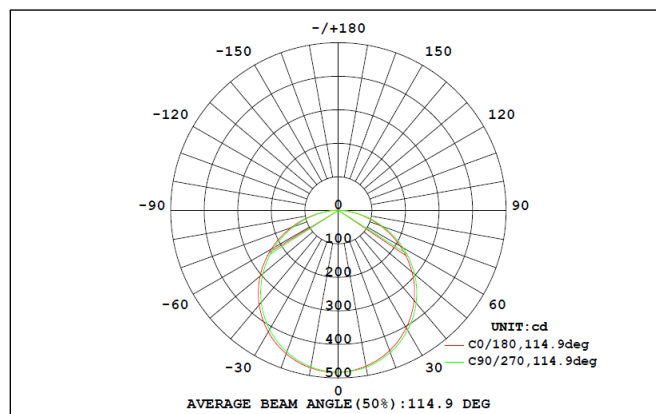


Diagram for R225LED40-01. Other diagrams available on request