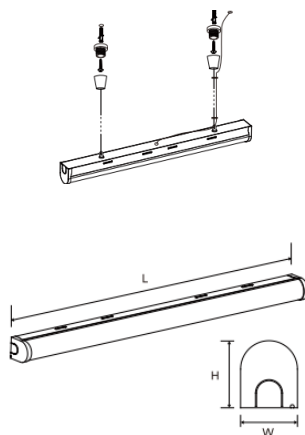


COMMERCIAL

CAESAR 1.2M IP20 LED BATTEN



| | |
|--|--|
| Product Codes | Standard: RCA484012-01 |
| | Emergency: RCA484012E-01 |
| Comparable to T8 (W): | 2x36 |
| Power Consumed (W): | 44.5 |
| Luminaire Output L₁₀₀ (lm): | 5,140 |
| Luminaire Output Emergency: | 350 |
| Illuminance @ 1m (lx): | 1390 |
| Illuminance @ 1m Emergency (lx): | 100 |
| Beam Angle (deg): | 140 |
| Power Factor: | 0.97 |
| Colour Temp L₁₀₀ (k): | 4,000 |
| CRI L₁₀₀ (Ra): | 80 |
| Luminaire Efficacy L₁₀₀ (lm/cctW): | 116 |
| Rated LED life (hrs): | 50,000 |
| Warranty (yrs): | 5 |
| Operating temperature range (°C): | -25 < T _a < +40 (Emergency -10 < T _a < +40) |
| Voltage Input Range (V): | 220-240 |
| Dimensions L/W/H (mm): | 1160/62/74 |
| Ingress Protection (IP): | 20 |
| Impact rating (IK): | 08 |
| Min/Box Order Qty: | 1/4 |
| Weight (Kg): | 2.10 |

These superb fittings replace standard 2 x 36W T8 fluorescent battens making energy savings of over 40% and with no maintenance costs other than cleaning. With an attractive and pleasing aesthetic they are ideal for illumination in:

- Offices
- Corridors
- Retail shops
- Health Centres
- Storage Areas
- Work Stations
- Schools

FEATURES

- Slim 2 piece body design - White powder coated pressed steel base housing the driver and mains connection block, and clip on metal framed opal diffuser with connector for LED's
- Complete with 1m suspension kit
- Diffuser section support straps
- Large 4 terminal connection block
- Utilises high quality long life surface mount 2835 SMD LED technology mounted on PCB substrate and plate which:
 - Provides exceptional light output
 - Has very low power consumption
 - Ensures lumen & CCT depreciation is minimised
 - Provides rated LED life of 50,000 hours
 - Provides an efficacy of ≈116 luminaire lumens/circuit watt
- Cool running
- Colour temperature of 4000k with high CRI
- Uses an integral linear LED PCB not LED tubes
- Rugged solid state technology
- Available in Emergency with manual test button
- Robus 5 year warranty

BENEFITS

- Great aesthetics with colour finish to match most decors
- Fast and simple access for base installation & supply termination
- Strong and durable
- Maximises light output with good uniformity and reduced glare
- Provides surface or mounting facility for high or sloping ceilings
- Diffuser section is supported leaving 2 hands for connection
- Each terminal suitable for up to 3 x 1.5mm² conductors
- 4th link terminal for permanent live loop
- Compared to T5 & T8 fluorescent:
 - Comparable light output so is a one for one replacement
 - Makes energy savings of over 40%
 - Light output and colour is consistent over life
 - No disruption or maintenance costs for replacement tubes
 - Phenomenal efficacy providing compliance with current & foreseeable legislation
- Results in less IR radiation
- No added heat -reduces air conditioning costs during warmer weather
- Ideal light colour for task work and clear visibility for more comfortable working environment without eye strain
- Less likely to be stolen or damaged compared to LED tubes
- Allows more efficient heat management to provide greater light output and longer life
- Can be switched by microwave, PIR and/or photocell to provide even greater energy savings when lighting not required
- No heat filaments or electrodes to fail unlike traditional light sources which are susceptible to failure due to building vibration and the process of heating and cooling cycles
- Provides emergency light for safe traverse on power failure
- A manual test can be carried out individually rather than the whole circuit which saves disruption to people in the area
- Provides piece of mind with no form filling or internet registration

PLEASE NOTE – INFORMATION CONTAINED IN THIS DOCUMENT IS SUBJECT TO CHANGE WITHOUT PRIOR NOTICE