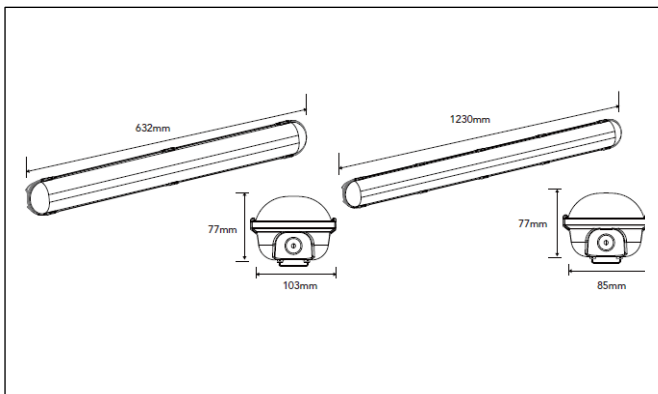


**COMMERCIAL**  
SULTAN LED CORROSION PROOF

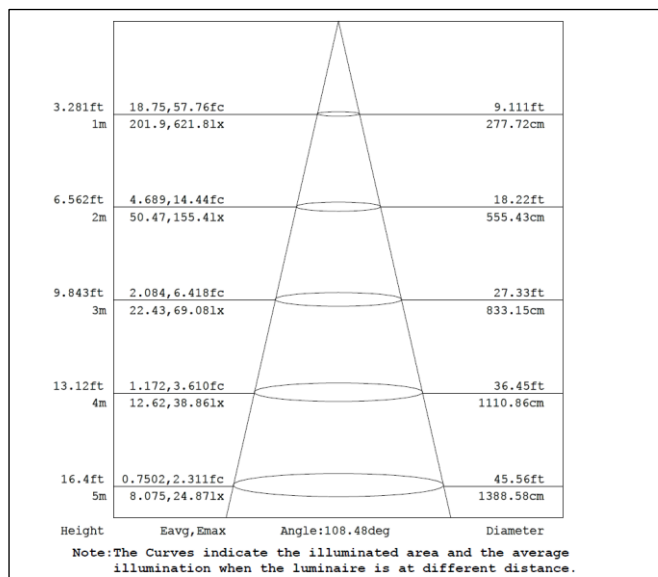
**ROBUS®**

SULTAN 24W, 2 and 4ft, LED corrosion proof, IP65, Yellow, 5,000K

Product Code:	RSU24502FT-09 RSU24502FTE-09	RSU24504FT-09 RSU24504FTE-09
Comparable to T8 Fluorescent (W):	2x18	1x36
Total Power (W):	24	24
Total Light Output (lm):	2,160 Standard 350 Emergency	2,160 Standard 350 Emergency
Efficacy (lm / cctW):	90	90
Rated Life (hrs):	30,000	30,000
Warranty (yrs):	3	3
Illuminance at 1m (lux):	600	550
Beam Angle (deg):	120	120
CCT (K):	5,000	5,000
CRI (Ra):	80	80
Ingress Protection (IP):	65	65
Impact Rating (IK):	08	08
Operating Temperature (°C):	-20 ≤ Ta ≤ +40	-20 ≤ Ta ≤ +40
Operating Voltage (Vac):	110	110
Power Factor (PF):	0.9	0.9
Height (mm):	77	77
Length (mm):	632	1230
Width (mm):	103	85
Box Qty:	1	1
Weight (kg):	0.95	1.32



**Cone Illuminance Diagram:**

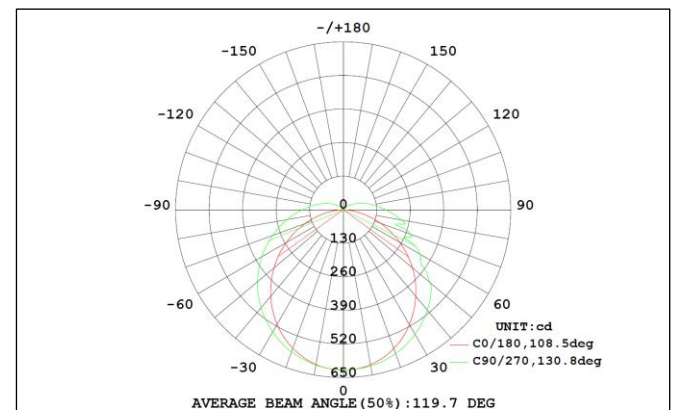


**Standards & Approvals:**

Complies with: EN 60598-1, EN 60598-2-1, EN62031+A1+A2, EN 62493, EN62471, EN 55015, EN 61574, EN 61000-3-2, EN 60001-3-3



**Polar Intensity Diagram:**



PLEASE NOTE: INFORMATION IN THIS DOCUMENT MAY BE SUBJECT TO CHANGE WITHOUT PRIOR NOTICE

IRE: TEL: +353 1 709 9000 WEB: WWW.LEDGROUPROBUS.COM  
AUS: TEL: +61 7 3890 5444 WEB: WWW.LEDGROUPROBUS.COM.AU