

STREEX IP66 LED STREETLIGHT, 4000K C/W 10M FLEX, S CLASS BEAM, DARK GREY

**RSE3540S-25 RSE6040S-25 RSE9040S-25
RSE12040S-25 RSE20040S-25**

**PLEASE READ INSTRUCTION BEFORE COMMENCING INSTALLATION AND
RETAIN FOR FUTURE REFERENCES.**

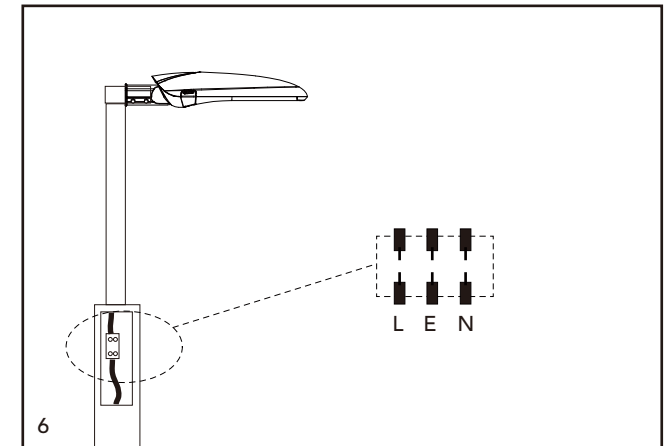
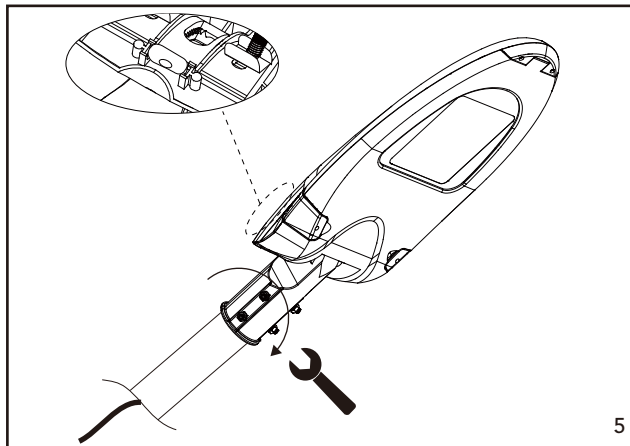
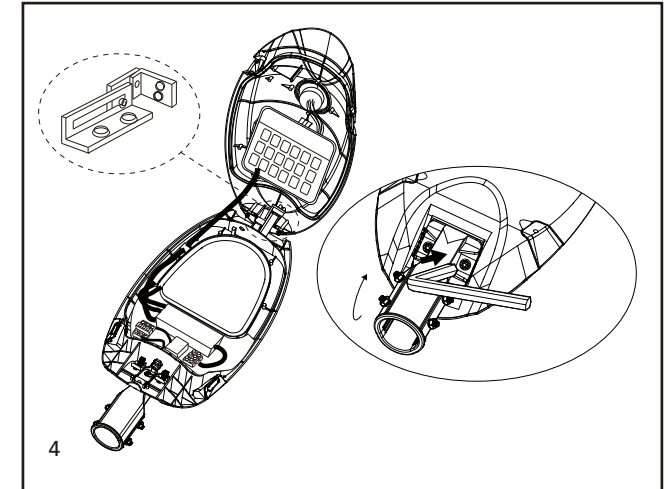
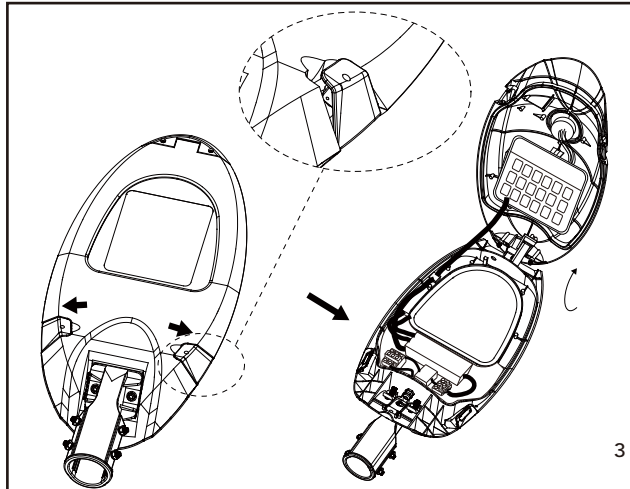
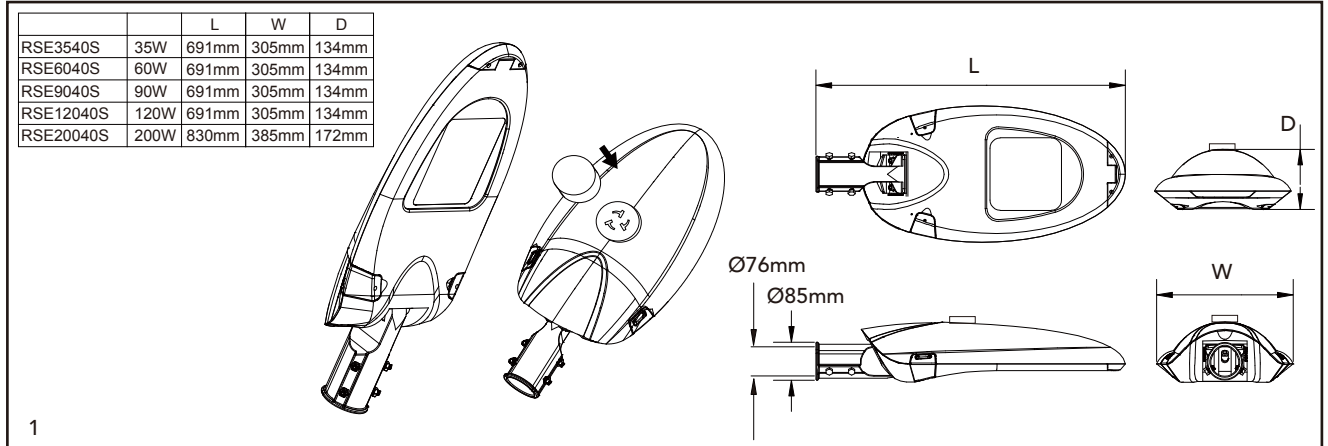
**! Electrical products can cause death or injury, or damage to property. If in any
doubt about the installation or use of this product, consult a competent electrician**
Note:

**Product technical information and specification may change over time without
prior notification. For the latest technical information please visit our web site
www.ledgrouprobust.com.au**

-25°C < Ta < +40°C, 220-240V ~ 50/60Hz, Class I, IP66
Luminaire is compatible with the streex 5 pin photocell (RSE-PC)

Installation

1. Ensure mains supply is switched off before commencing work.
2. Select suitable location and mounting for luminaire.
3. Safety note! The power supply cord must not be exposed to avoid mechanical damage.
4. Open the upper cover by releasing the fastening clips on the side of fitting body.
5. To change from side entry to post mount configuration, unscrew support clamps at back of fitting with appropriately sized allen key and rotate the mounting to point downwards from fitting. Replace screw clamps and firmly tighten.
6. To adjust the pitch angle up or down, untighten support clamp screws at the back of the fitting using allen key. Select pitch angle on guide at back of fitting and tighten screws in selected position.
7. Run the 10m cable in to the Ø76mm spigot and down to connection point / cut out : Live – Brown, Neutral –Blue and, Yellow/Green - Earth.
8. place the fitting mounting on to the spigot. Ensure the fitting is mounted correctly using spirit level inside fitting.
9. Tighten the bolts on the two sides of the mounting.
10. Refit the upper cover and engage the fastening clips.
11. Place blanking cap on to the photocell socket to prevent water ingress. It is also possible to Use the 5 pin photocell (RSE-PC) accessory (sold separately).



The Installation must be carried out by a qualified electrician

LED Group Australasia
9/210 Queensport Road North
Murarrie
QLD 4172
Australia

Tel: 07 3890 5444
Fax: 07 3890 4777
Email: purchases@ledgrouprobust.com.au
Website: www.ledgrouprobust.com.au