

**COMMERCIAL**  
STREEX LED STREETLIGHT

**ROBUS®**

60W STREEX LED STREET LIGHT, 4,000K, 10m FLEX,  
S CLASS BEAM ANGLE, DARK GREY

This great looking street light combines beautiful aesthetics with high performance to provide the ultimate lighting solution for public and private roads, driveways and walkway applications. Being exceptionally efficient, operating and maintenance costs are dramatically reduced whilst contributing to making our roads and walkways safer to use



**Applications:**

- Public and private roads
- Hotel drives
- Car parks

**Construction:**

- Die cast aluminium Housing
- RAL7037 Colour Finish
- Phosphiding Coating Process
- Polycarbonate Diffuser & Lens
- Die cast aluminium Fastener Material
- Aluminium PCB Material

**Features:**

**Benefits:**

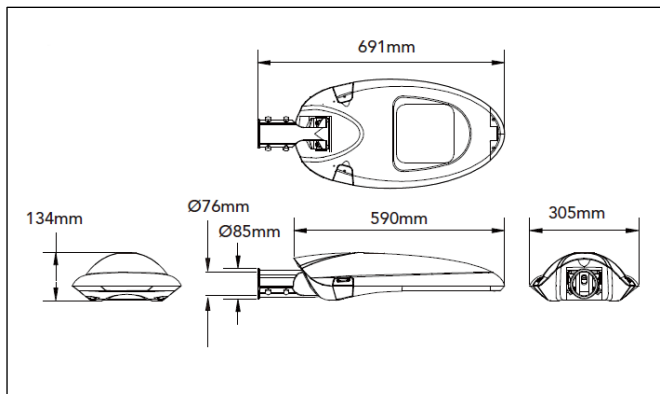
<ul style="list-style-type: none"> <li>• Modern canopy aesthetics</li> <li>• Die-cast aluminium housing finished with a special grey powder coating process</li> <li>• Impact rating of IK08</li> <li>• Stainless steel fixings</li> </ul>	<ul style="list-style-type: none"> <li>• Attractive design for all installation types</li> <li>• Increased epoxy to metal powder ratio improves protection in aggressive corrosive areas such as coastal applications</li> <li>• Colour matches most existing posts so ideal for retro-fit</li> <li>• Resistant to intentional or accidental damage</li> <li>• Will not rust and will always look good</li> </ul>
<ul style="list-style-type: none"> <li>• Polycarbonate diffuser and lens</li> </ul>	<ul style="list-style-type: none"> <li>• Strong and durable with high light transmission properties</li> <li>• Provides a low glare rating of G3 for road safety</li> </ul>
<ul style="list-style-type: none"> <li>• Wide S-class light beam</li> <li>• Fitted with high quality Samsung LED's and Philips Xitanium 0-10v dimmable driver</li> </ul>	<ul style="list-style-type: none"> <li>• Reduces the number of fittings and post installations required</li> <li>• Provides:                             <ul style="list-style-type: none"> <li>• High light output to match traditional light sources</li> <li>• Low power consumption making energy savings &gt;50%</li> <li>• High efficacy to comply with current and future regulations</li> <li>• Long rated LED life of 60,000 hrs</li> </ul> </li> <li>• Additional energy savings can be achieved using a dimming photocell</li> </ul>
<ul style="list-style-type: none"> <li>• Surge Protection Device as standard</li> </ul>	<ul style="list-style-type: none"> <li>• Limits transient over-voltages of atmospheric origin to protect electrical components</li> </ul>
<ul style="list-style-type: none"> <li>• Has 5 pin NEMA socket and shorting plug</li> <li>• Photocell accessory available</li> </ul>	<ul style="list-style-type: none"> <li>• Simple plug in of the included shorting plug or photocell accessory allows for group or local on/off control</li> </ul>
<ul style="list-style-type: none"> <li>• Pre-wired with 10m of 3 core H05RR-F rubber flex</li> <li>• Power cut-off device</li> </ul>	<ul style="list-style-type: none"> <li>• Makes connection fast and simple at the bottom of the post</li> <li>• For safety ensures components are not live while working on an open fitting</li> </ul>
<ul style="list-style-type: none"> <li>• Adjustable spigot mount</li> </ul>	<ul style="list-style-type: none"> <li>• Allows side or post top mounting and head fine adjustment in the horizontal or vertical position</li> </ul>
<ul style="list-style-type: none"> <li>• Built in spirit level</li> </ul>	<ul style="list-style-type: none"> <li>• Makes head and beam alignment easier and compensates for miss-aligned posts</li> </ul>
<ul style="list-style-type: none"> <li>• 2 side retaining clips rather than the norm of 1</li> <li>• Combined pressure-vacuum relief valve</li> </ul>	<ul style="list-style-type: none"> <li>• Lid doesn't get blown open by strong winds or vibration</li> <li>• Special valve material allows the fitting to breath without ingress of moisture so no misting of the LED's or diffuser</li> <li>• Provides extended seal and electrical component life</li> </ul>
<ul style="list-style-type: none"> <li>• Long life product</li> </ul>	<ul style="list-style-type: none"> <li>• 5-year component warranty</li> <li>• Casing lifetime - 20 years</li> </ul>

**COMMERCIAL**  
STREEX LED STREET LIGHT

**ROBUS®**

60W STREEX LED STREET LIGHT, 4,000K, 10m FLEX,  
S CLASS BEAM ANGLE, DARK GREY

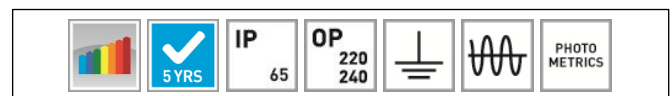
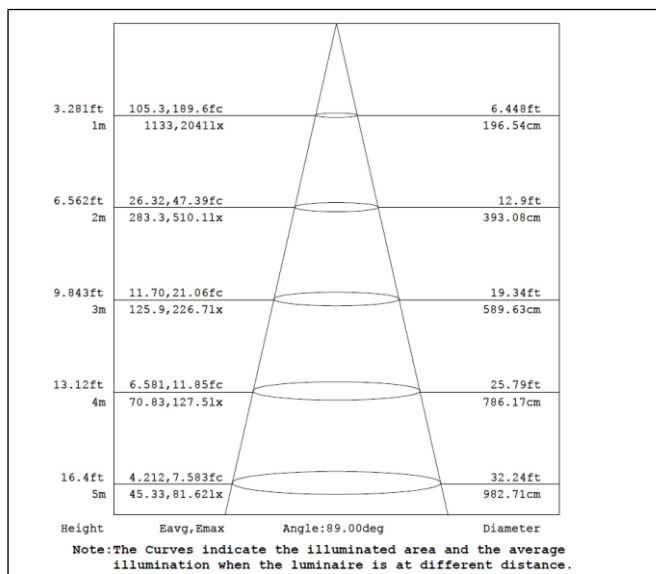
Product Code:	RSE6040S-25
Comparable to SON (W):	120
Total Power (W):	58.6
Total Light Output (lm):	7,220
Efficacy (lm / cctW):	123
Rated Life (hrs):	50,000
Warranty (yrs):	5
Illuminance at 1m (lx):	2,040
Beam Angle (deg):	150
CCT (K):	4,000
CRI (Ra):	75
Ingress Protection (IP):	66
Impact Rating (IK):	08
Operating Temperature (°C):	-25 ≤ Ta ≤ +40
Output Current (mA):	530
Operating Voltage (Vac):	220-240
Power Factor (PF):	0.96
Height (mm):	134
Length (mm):	691
Width (mm):	305
Box Qty:	1
Weight (kg):	7.2



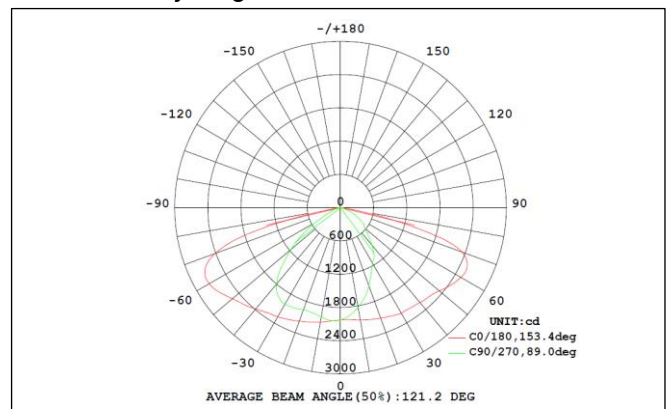
**Standards & Approvals:**

Complies with: SAA, RCM

**Cone Illuminance Diagram:**



**Polar Intensity Diagram:**



PLEASE NOTE: INFORMATION IN THIS DOCUMENT MAY  
BE SUBJECT TO CHANGE WITHOUT PRIOR NOTICE

IRE: TEL: +353 1 709 9000 WEB: WWW.LEDGROUPROBUS.COM  
AUS: TEL: +61 7 3890 5444 WEB: WWW.LEDGROUPROBUS.COM.AU