

GU10 PRESSED STEEL CIRCULAR DOWNLIGHT

R201PS-01/03/13, R208PS-01/03/13

PLEASE READ INSTRUCTION BEFORE COMMENCING INSTALLATION AND RETAIN FOR FUTURE REFERENCES.
! Electrical products can cause death or injury, or damage to property. If in any doubt about the installation or use of this product, consult a competent electrician

Note:

Product technical information and specification may change over time without prior notification
For the latest technical information please visit our web site WWW.ledgrouprobust.com or robustdirect.com

Specifications

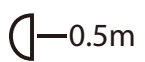
Model No.	R201PS	R208PS
Supply Voltage:	220-240V~50/60Hz	220-240V~50/60Hz
Lamp Type:	GU10 Max.50W	GU10 Max.50W
Ta Range:	-20°C < ta < 40°C	-20°C < ta < 40°C
IP Rating:	IP20	IP20
Safety Class:	Class II	Class II
Overall Diameter:	80mm	105mm
Depth:	90mm	90mm
Cutout:	60mm	85mm
Weight:	0.1Kg	0.19Kg
Warranty:	2 year	2 year

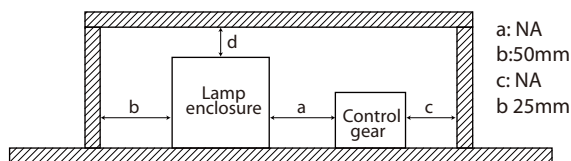
Suitable for mounting on normally flammable surface

Complies with EN60598 (BS4533)



Luminaires and transformer not suitable for covering with thermally insulating material

 Suitable for mounting on normally flammable surface
Minimum distance from illuminated object is 0.5 metre



Installation

- 1 Ensure mains supply is switched off
- 2 Mark ceiling with appropriate cut-out size
- 3 Before cutting, ensure that the hole does not impinge on joists, pipe work, cables or other building services
- 4 Ensure there is at least 50mm of free space around and 25mm above the luminaire. Do not cover the luminaire with thermal insulation
- 5 Connect supply cables Live and Neutral to fitting terminals (polarity is unimportant). Do Not Earth
- 6 Fit springs and offer luminaire up to cut-out with the longer leg of each spring being held vertically. The luminaire is retained in position by the spring tension between the short and the long leg of each spring against the ceiling
- 7 Lamp installation and replacement:
! Ensure mains supply is off. ! When operating the luminaire is too hot to touch. Switch off and allow to cool before undertaking any maintenance work. Remove clip to release the lamp.

Information for the Product user:

1. Please note the requirement to dispose of Waste Electrical & Electronic Equipment separately from household waste (WEEE marked with crossed out wheelie bin symbol).
2. Please consider your role in contributing to re-use and recycling by returning this product at end of life to a collection centre for waste electrical equipment or a Civic Amenity site, or to a retail outlet from which you are purchasing a replacement.
3. This equipment may contain substances that are hazardous to health and the environment if disposed of carelessly. It is important that it is separated from normal household waste and recycled in the WEEE chain
4. The "crossed out wheelie bin symbol" on a product indicates this equipment must not be disposed of in normal household waste, but should be disposed of according to local WEEE regulations

The Installation must be carried out by an electrician

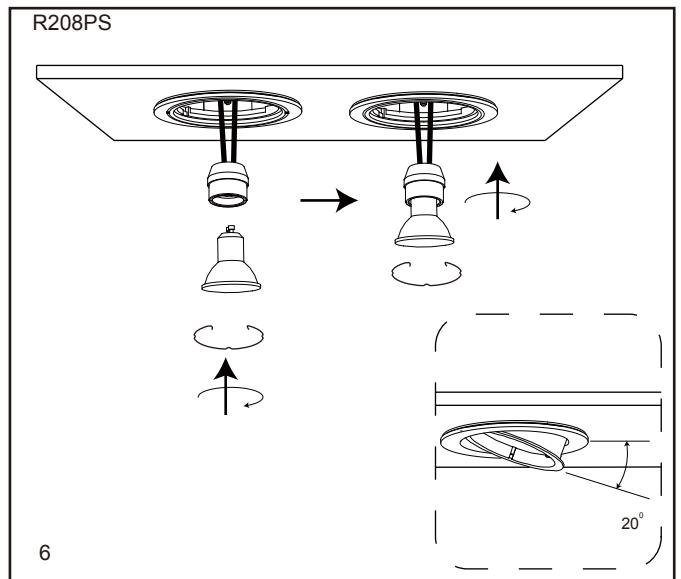
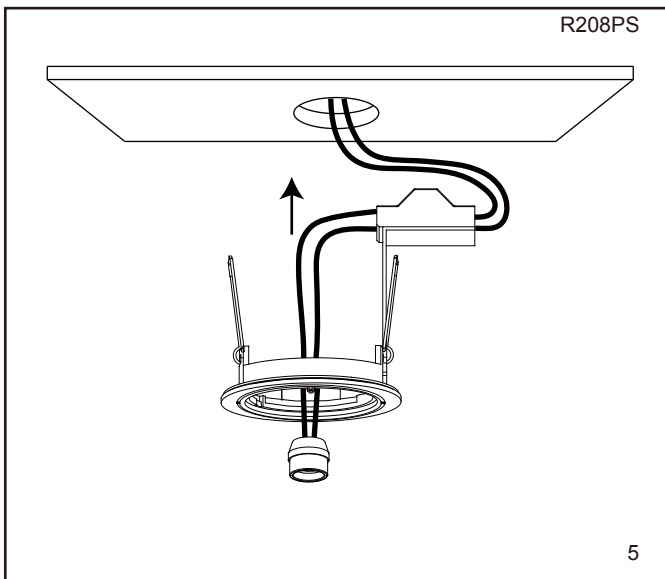
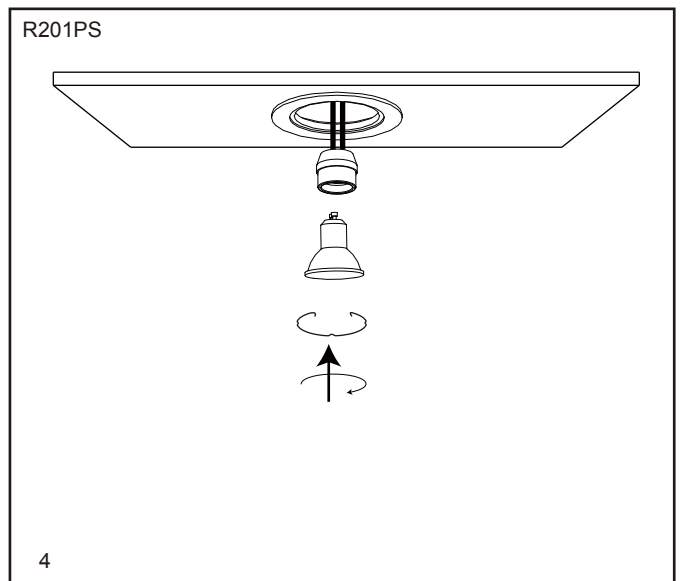
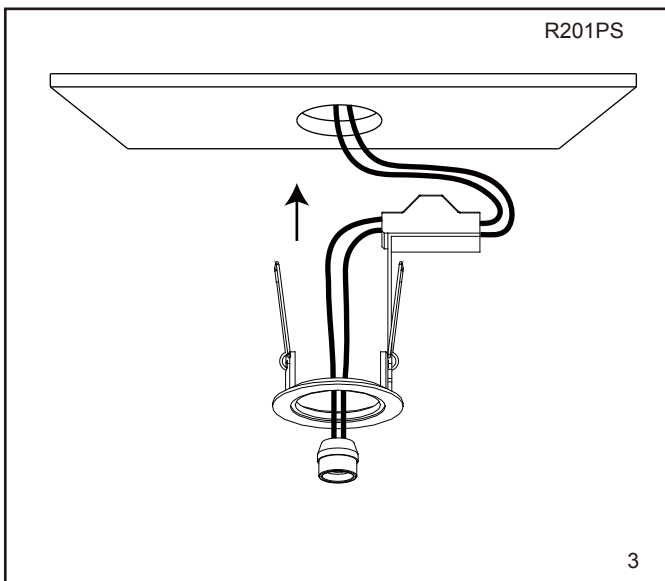
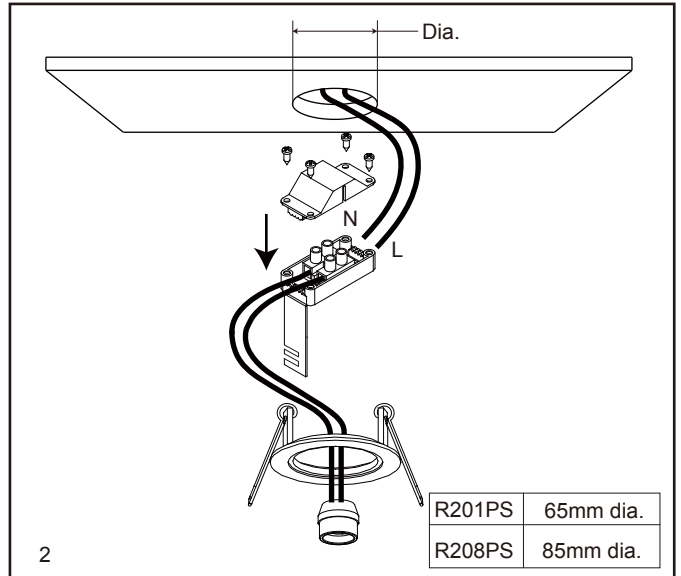
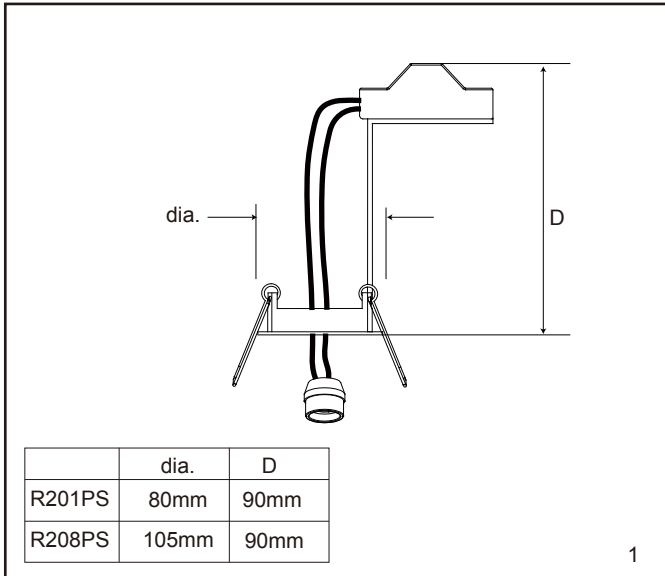
LED Group

Western Retail Park
Nangor Road
Dublin 12
Ireland
Issue 1 080115

Tel: +353 1 7099000
Fax: +353 1 7099060
Email: info@led.ie
Website: www.led.ie



Installation diagram



The Installation must be carried out by an electrician

LED Group
 Western Retail Park
 Nangor Road
 Dublin 12
 Ireland

Tel: +353 1 7099000
 Fax: +353 1 7099060
 Email: info@led.ie
 Website: www.led.ie

