

DOWNLIGHTS

MAINS VOLTAGE PRESSED STEEL DOWNLIGHTS



R201PS

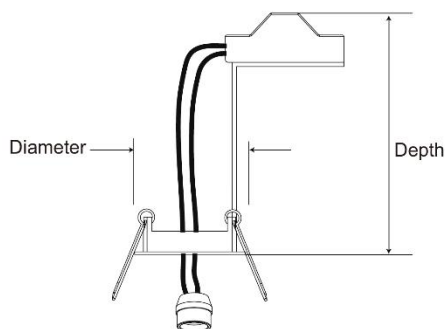


R208PS

GU10 Pressed Steel Downlight

- GU10 circular downlight made from pressed steel
- Complete with bracket, terminal block and high quality GU10 lamp holder
- Spring clip
- R208PS has a directional tilt of 20°
- Dimmer compatibility list available on website

	Straight	Directional
	R201PS-01	R208PS-01
	R201PS-03	R208PS-03
	R201PS-13	R208PS-13
Total Power (W):	50	50
Diameter (mm):	80	105
Depth (mm):	90	90
Cut-out (mm):	60	85
Box Qty:	10	10
Weight (kg):	0.10	0.19
Cap Type:	GU10	GU10
IP:	20	20



	Diameter	Depth
R201PS	80mm	90mm
R208PS	105mm	90mm

PLEASE NOTE – INFORMATION CONTAINED IN THIS DOCUMENT IS SUBJECT TO CHANGE WITHOUT PRIOR NOTICE