

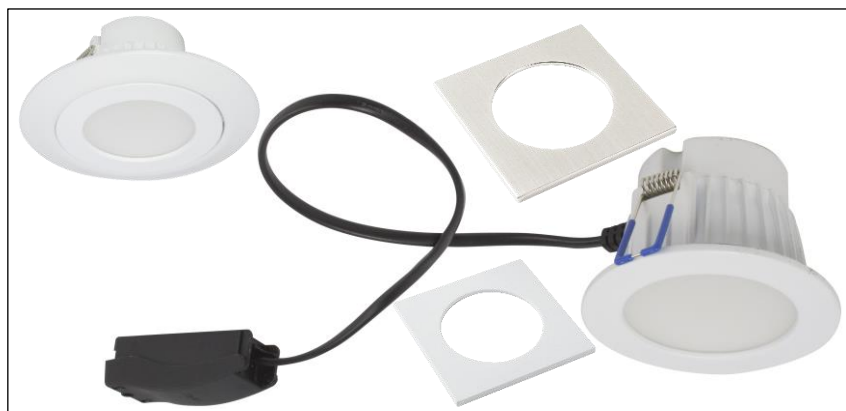
DOWNLIGHTS

TAYLOR LED DOWNLIGHTS

ROBUS®

TAYLOR 7W CCT selectable dimmable LED downlights, c/w White and Brushed Chrome trims, 3,000K, 4,000K, 6,500K

The new Robus TAYLOR dimmable LED downlight is the natural evolution of the IMPACT range allowing the installer to choose the Colour Temperature (CCT) depending on the installations lighting requirements. With selectable CCT's of warm, neutral or daylight white and opal diffuser, it provides a low glare, uniform and shadow free light



Applications:

- Domestic dining, living, bathroom and bedroom spaces
- Hotel & Office reception areas
- Shops and other retail premises
- Pubs, clubs and restaurants
- Complimentary lighting in meeting/function rooms

Construction:

- Plastic coated Aluminium PA66 housing
- Polycarbonate trim & Opal diffuser
- Steel spring clips

Features:

- Complete downlight kit:
 - Complete with slim, white and brushed chrome bezels
 - Pre-wired with 0.25m of flex and push-in spring terminal connector block with integral cable clamp facility
- Black circular, White & B/chrome square trim accessories
- Matching extension trims for larger existing cut-outs
- High efficiency Polycarbonate opal diffuser
- Plastic-coated die cast aluminium housing
- Solid state technology
- Utilises 44 high quality Nationstar SMD LED's:
 - High luminous flux
 - Low power consumption
 - High efficacy
 - Long life
- 100-degree beam angle
- High Colour Rendering Index of 80
- Three position rear mounted Correlated Colour Temperature switch for 3,000K, 4,000K or 6,500K
- Integral dimmable driver
- Provide a common aesthetic to most areas of a property
- Provides additional safety for building occupants in the event of a fire
- Ingress Protection of IP44
- Independent 850-degree glow-wire tested

Benefits:

- Everything is included in one box with nothing else required
 - Neat aesthetic with choice of trim colour to match décor
 - Fast & simple connection, retains permanent conductor pressure, alleviating hotspots which often result in failure
- Creates a modern, attractive aesthetic
- Great for retro-fit. Covers existing holes of 78mm - 116mm diameter
- Reduces glare for greater eye comfort and best light transmission
- High conductance material for excellent thermal management contributes to long LED and driver component life
- Emits very little heat – reducing air conditioning costs
- "Instant on" to ensure immediate visibility
- Rugged with no filament to prematurely fail due to knocks, building vibration or extreme temperature changes
- Compatible with sensor switching without compromise to LED life
- Greater light output than mains halogen - reduced number of fittings
- Ideal retro-fit to provide more light
- Makes energy savings of over 85% compared to halogen
- Provides up to 93 lumens for every watt used, so very efficient
- No maintenance or annoying dark areas where lamps have failed
- Wide light beam provides uniform shadow free light
- Accurate colour reproduction – ideal for retail or pastel shade décors
- CCT is subjective but can be set for warm ambient lighting, cooler light colour for task or work environments, or natural daylight white often used in areas accustomed to brighter natural light
- Light colour can be selected after installation to best effect and use of the lit space, and can be changed quickly and simply if décor or use of the space is altered in the future
- No separate driver to find location for
- Dimmable with C-Bus systems and many other Triac type dimmer switches (compatibility list available on website)
- Light can be set to a subtle low level, to full brightness for task or general lighting or anywhere in-between
- Great as a retrofit solution with existing dimmer switches
- Provide a common aesthetic to most areas of a property
- Provides additional safety for building occupants in the event of a fire

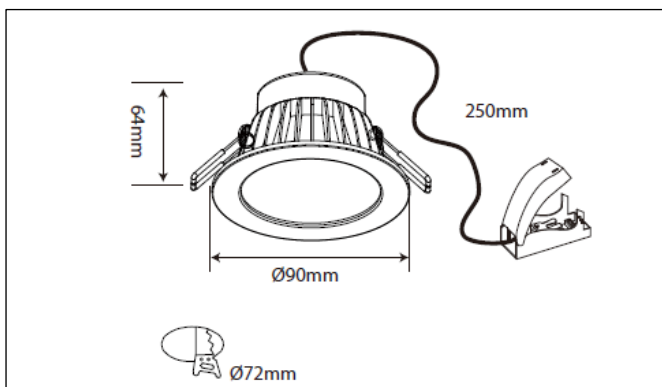
DOWNLIGHTS

TAYLOR LED DOWNLIGHTS

ROBUS®

TAYLOR 7W CCT selectable dimmable LED downlights, c/w
White and Brushed Chrome trims, 3,000K, 4,000K, 6,500K

Product Code:	RC7W723-01
Comparable to Halogen (W):	50
Total Power (W):	7
Total Light Output (lm):	600/650/620
Efficacy (Llm / cctW):	86/93/89
Rated Life (hrs):	30,000
Warranty (yrs):	3
Illuminance at 1m (lx):	250/300/270
Beam Angle (deg):	100
CCT (K):	3,000/4,000/6,500
CRI (Ra):	80
Ingress Protection (IP):	44
Operating Temperature (°C):	-20 ≤ Ta ≤ +40
Operating Voltage (Vac):	220 - 240
Power Factor (PF):	0.9
Height (mm):	64
Diameter (mm):	90
Cut Out (mm):	72
Box Qty:	1
Weight (kg):	0.22



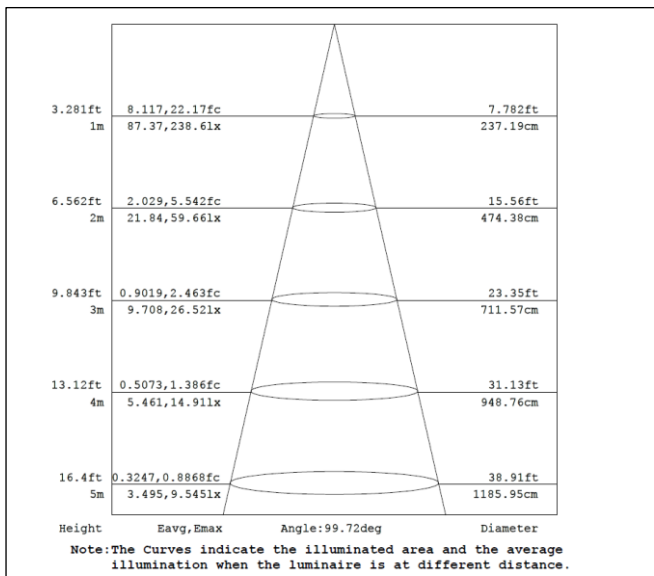
Accessories:

RC72TRIMX-01	Circular trim Black
RC72TRIM-01	Extension trim White (78-116mm cut out)
RC72TRIM-13	Extension trim Brushed Chrome (78-116mm cut out)
RC7SQTRIM-01	Square trim White
RC7SQTRIM-13	Square trim Brushed Chrome

Standards & Approvals:

Complies with: EN 60598-1, EN 60598-2-2, EN 62031, EN 62471, EN 62493, EN 62031, EN 61374-2-13, EN 55015, EN 61000-3-2, EN 61000-3-3, EN 61547, EN 60598-1 Annex ZC Clause 4&5 Passes 850° glow wire test

Cone Illuminance Diagram:



Polar Intensity Diagram:

