

DOWNLIGHTS

RAMADA IP65 FIRE RATED DOWNLIGHTS

ROBUS®

The next generation of this attractive looking dimmable Fire and IP65 rated downlight provide almost identical light output to its predecessor whilst making additional energy savings of over 20%. High quality components and materials provides a versatile, long-life, energy efficient downlight solution to reduce carbon emissions in Domestic or Commercial installations



Applications:

- Domestic dining, living, bathroom and bedroom spaces
- Hotel & Office reception areas
- Shops and other retail premises
- Pubs, clubs and restaurants
- Complimentary lighting in meeting or function rooms

Construction:

- White powder coated die-cast aluminium trim
- Die-cast aluminium body
- Clear toughened glass cover
- Pressed steel insulation stand-off
- Spring steel ceiling fixing clips

Features and Benefits:

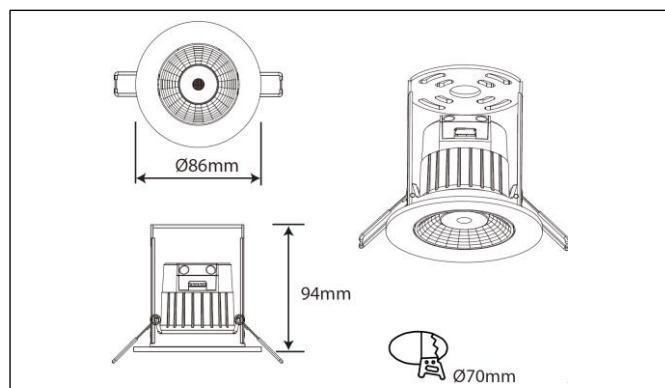
- The fitting has a white powder coated pressed steel trim as standard but also comes with a clip-on brushed chrome trim accessory to match or contrast décor, door, or other furniture
- An optional polished chrome clip-on trim is ideal for matching with chrome bathroom fittings
- The die-cast aluminium body conducts heat away from the LED's and driver components to ensure cool running and long life
- An specially designed fire can and flange seal ensure the fitting is IP65 for use in bathrooms and complies with parts B, C and E of the Building Regulations, required for most domestic installations
- An integrated stand-off allows the fitting to be installed with insulation loosely laid over it. This ensures that cold spots aren't generated in void spaces by removing insulation
- Strong, nylon covered ceiling retaining springs ensure the fitting is pulled up close to the ceiling with no unsightly gaps and without damaging the ceiling
- A 130mm flex from the fitting to a connection block with 3 large terminals allow for termination of 1.5mm² solid or stranded loop in/out conductors
- The fitting has a 60 degree LEDChroic optic which provides a wide, uniform light beam and the star-like twinkle of Halogen without bright or dark rings and patches often associated with it
- The light source is set back within the fitting which results in a very low glare light output. This means it can also be installed in areas where glare control is important
- High quality COB LED's are used which provides:
 - High light output comparable to LV Halogen so is a one for one replacement, particularly useful for retro-fit where all cut-outs can be utilised
 - A more economical solution cost compared to many lower performing LED alternatives because reduced numbers of fittings are required to achieve the same average light level
 - Low power consumption and high efficacy for much sought after running cost savings
 - Long life so requires no annoying lamp changes over life
- The latest state of the art integral driver design is employed which makes the fitting compatible with many leading and trailing edge dimmers to provide a wide smooth dimming range for task or subtle ambiance lighting (see website compatibility list)
- The technology employed is solid state which means that:
 - Life is not affected by on/off or heating/cooling cycles as is the case with many traditional light sources.
 - It is suitable for switching by most sensor or control systems to provide "instant on" when light is required
- Available in 3,000K or 4,000K options the fitting provides a warm or neutral white light colour choice depending on use of the lit space

DOWNLIGHTS

RAMADA IP65 FIRE RATED DOWNLIGHTS

ROBUS®

Product Code:	RRA083060-01	RRA084060-01
Comparable to Halogen (W):	50 LV	50 LV
Total Power (W):	6.6	6.7
Total Light Output (lm):	590	640
Efficacy (lm / cctW):	90	97
Rated Life (hrs):	30,000	30,000
Warranty (yrs):	2	2
Illuminance at 1m (lux):	620	650
Beam Angle (deg):	60	60
CCT (K):	3,000	4,000
CRI (Ra):	80	80
Ingress Protection (IP):	65	65
Operating Temperature (°C):	-20 ≤ Ta ≤ +40	-20 ≤ Ta ≤ +40
Operating Voltage (Vac):	220-240	220-240
Power Factor (PF):	0.9	0.9
Cut Out (mm):	70	70
Height (mm):	94	94
Diameter (mm):	86	86
Box Qty:	1	1
Weight (kg):	0.3	0.3



Accessories:

White and Brushed Chrome trims **Included**
 Optional Polished Chrome clip-on trim **RRATRIM-03**

Standards & Approvals:

Complies with: EN 60598-1, EN 60598-2-2, EN 62471, EN 62493, EN 55015, EN 61000-3-2, EN 61000-3-3, BS 476-21, EN 61374-1, EN 61374-2-13, EN61547, EN62031

Cone Illuminance Diagram:

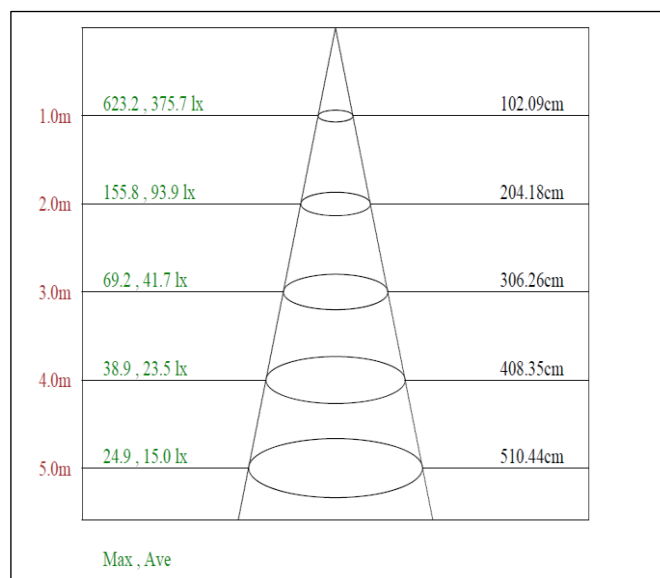


Diagram for RRA083060-01. Other diagrams available on request



Polar Intensity Diagram:

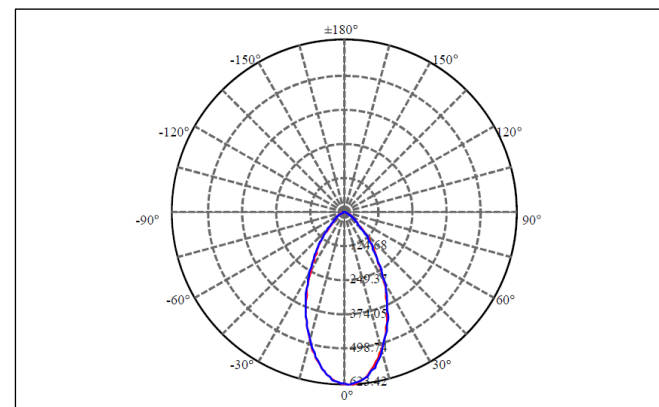


Diagram for RRA083060-01. Other diagrams available on request