

BARON LED BATTEN, 3 CCT SELECTABLE, IP20, WHITE

This linear LED batten with its slim attractive design provides great aesthetics for any installation. It is simple to install and with efficacies of up to 120 luminaire lumens per circuit watt make welcome energy savings compared to traditional fluorescent to reduce CO₂ emissions and the buildings carbon footprint.



Applications:

- Apartments
- Communal areas
- Kitchen and canteen areas
- Reception areas and waiting rooms
- Stationery store rooms
- Car garage, shed or workshop
- Utility rooms and work stations

Construction:

White powder coated extruded aluminium base
 White polycarbonate end caps
 Opal diffuser
 FR4 Aluminium PCB

Features:

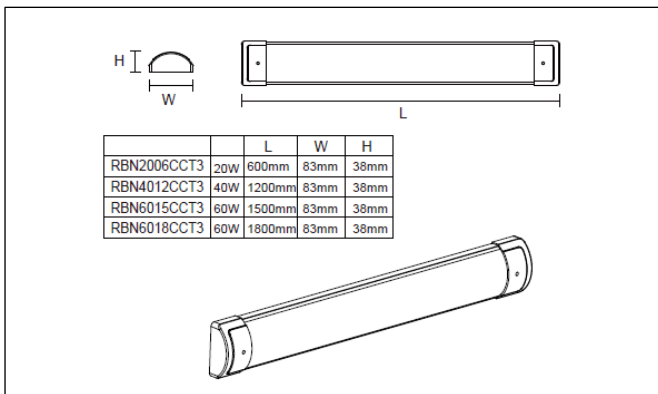
- Available in 4 lengths and lumen packages
- Low profile white powder coated extruded aluminium base
- White polycarbonate end caps
- Opal diffuser with integral linear prisms
- Utilises high quality long life Sinotron Lighting SMD LED technology:
 - Provides superb light output
 - Exceptionally low power consumption
 - High efficacy
 - Ensures lumen depreciation & CCT shift is minimised
 - Long rated LED life of 30,000 hours
- Three colour temperature selectable
- Rugged solid-state lighting technology with no heat filaments or electrodes to fail
- Wide operating temperature range
- Removable end caps held in place by single screws and matching white plug
- Removable diffuser
- Rear centre position cable entry point fitted with cable grommet
- Pre-punched slotted fixing points

Benefits:

- Suitable for most common batten applications in a variety of buildings
- Shallow surface projection so ideal for low ceilings
- Simple neat aesthetics
- Reduces discomfort glare
- Provides uniform light spread
- Provides:
 - Comparable light output to T8 so is a one for one replacement
 - Makes energy savings of over 50% compared to fluorescent
 - Light output and colour is consistent over life
 - No maintenance costs for replacement tubes or access equipment hire
 - Provides compliance with current & foreseeable Building Regulation efficacy requirements
- Select warm, neutral or daylight white CCT to create a relaxing ambience or task oriented light colour
- Less susceptible to failure due to building vibration or hot/cold temperature variations
- Can be switched by external microwave, PIR and/or photocell which is detrimental to life of traditional light sources so provides even greater energy savings when lighting not required
- Suited for use in areas not normally heated or occupied
- Provides access to the three Colour Temperature selector switch
- Allows access to the large mains termination block with cable restraint suitable for loop in/out wiring
- Provides fitting centre mounting alignment
- Ensures mains cable isn't damaged during installation
- For fast and simple surface mounting with accurate alignment

BARON LED BATTEN, 3 CCT SELECTABLE, IP20, WHITE

Product Code:	RBN2006CCT3-01	RBN4012CCT3-01	RBN6015CCT3-01	RBN6018CCT3-01
Comparable to:	2x18W fluorescent	2x36W fluorescent	2x58W fluorescent	2x70W fluorescent
Total Power (W):	20.2/19.9/20.3	40/38.7/40.3	59.3/57.1/59.2	60.4/57.4/59.4
Total Light Output (lm):	1960/2180/2080	3460/3880/3640	5830/6570/6050	6060/6910/6340
Efficacy (lm / cctW):	97/110/103	87/100/90	95/115/102	100/120/107
Rated LED Life (hrs):	30000	30000	30000	30000
Warranty (yrs):	3	3	3	3
Illuminance at 1m (lx):	600/670/640	1010/1140/1070	1820/2060/1900	1920/2190/2010
Beam Angle (deg):	120	120	120	120
CCT (K):	3,000/4,500/6,500	3,000/4,500/6,500	3,000/4,500/6,500	3,000/4,500/6,500
CRI (Ra):	>80	>80	>80	>80
Ingress Protection (IP):	20	20	20	20
Operating Temperature (°C):	-20 ≤ Ta ≤ +40	-20 ≤ Ta ≤ +40	-20 ≤ Ta ≤ +40	-20 ≤ Ta ≤ +40
Operating Voltage (Vac):	220-240	220-240	220-240	220-240
Power Factor (PF):	0.95	0.95	0.95	0.95
Height (mm):	37.8	37.8	37.8	37.8
Length (mm):	600	1200	1505	1800
Width (mm):	83.4	83.4	83.4	83.4
Box Qty:	1	1	1	1
Weight (kg):	0.32	0.61	0.75	0.61



Cone Illuminance Diagram:

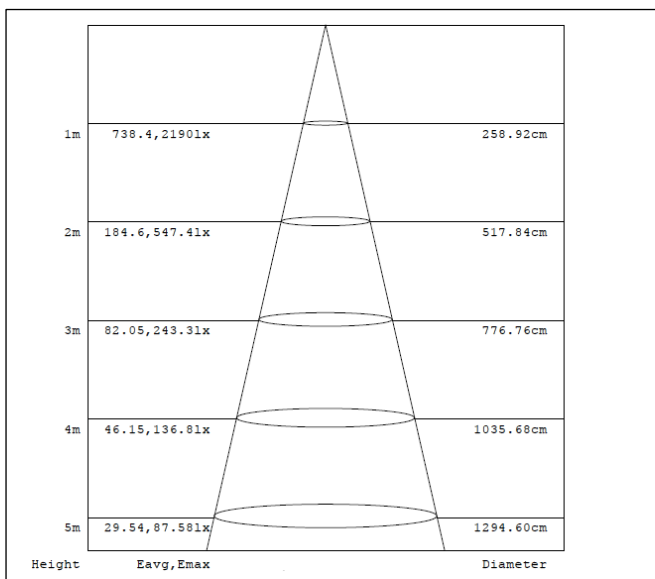
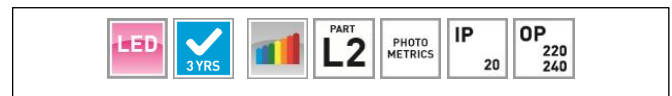


Diagram for RBN6018CCT3-01 in 4,500K. Other diagrams available on request

Standards & Approvals:

Complies with: EN 60598-2-1, EN 60598-2-2, EN 55015, EN 61000-3-2, EN 61000-3-3, EN 61547, EN 62471, EN 62493, EN 62384



Polar Intensity Diagram:

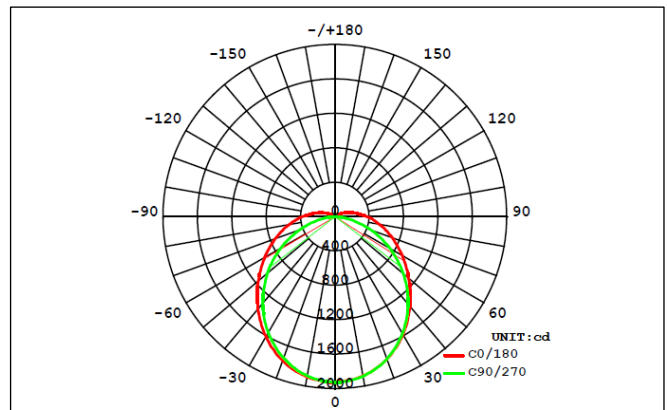


Diagram for RBN6018CCT3-01 in 4,500K. Other diagrams available on request