

DOWNLIGHTS CAVAN TUNABLE WHITE

ROBUS®

CAVAN 8.5W COB LED DOWNLIGHT, REMOTE CONTROL DIMMABLE & CCT TUNABLE, 3000K - 6500K, IP65

This remote controlled IP65 rated LED fitting looks superb, provides great functional dimmability and can be set to a choice of colour temperatures in the range 3,000K to 6,500K. Outstanding lighting performance coupled with excellent energy and maintenance saving make this a superb replacement for LV halogen or lower wattage PL



Applications:

- Commercial buildings
- Retail shops
- Public buildings
- Schools
- Hotels
- Function rooms
- Restaurants, Bars & Clubs
- Bath & Cloak rooms
- Wet rooms and wash down areas

Construction:

Die cast aluminium heat sink/housing
Polycarbonate bezel, connector housing & cover
Polycarbonate LEDCHROIC lens
Aluminium substrate PCB
Stainless steel fixings
Spring steel ceiling clips

Features:

- Modern aesthetic design with white or brushed chrome trim
- Main body/heat sink manufactured from polycarbonate & die cast aluminium
- LEDCHROIC 38-degree polycarbonate lens
- Remote control accessory enables:
 - Four separately controlled groups of fittings with each
 - Independently CCT tunable 3000K – 6500K
 - Dimmable from 100% to 10%
- Utilises high quality long life multi-LED COB technology to:
 - Provide exceptional light output and low power consumption to achieve great efficacy
 - Ensure lumen & CCT depreciation is minimised
 - Achieve a rated LED life of 50,000 hours
- Solid state technology
 - No heat filaments, electrodes or seals
 - No cool down or warm up time
- Shallow body dimension & flexible driver to fitting bracket
- Hinged snap-shut cover termination block with:
 - LEN push in spring terminals
 - 2 conductor terminations per pole
 - Cable restraint clamp
 - Spacious termination area
 - Flexible connector block to body mounting arm

Benefits:

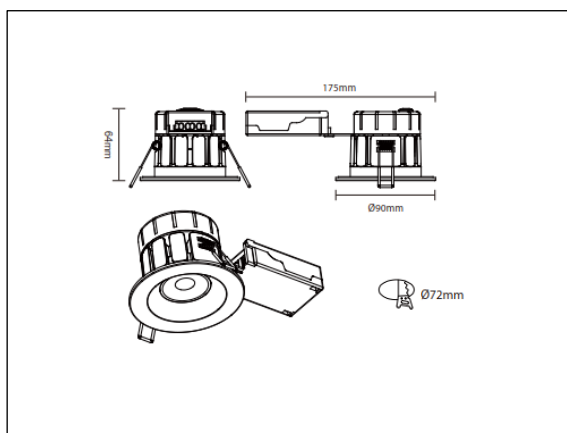
- Looks very attractive and will match most decors
- Strong & durable
- Excellent thermal management for extended LED & driver life
- Achieves the traditional look of a dichroic lamp
- Uniform shadow free light beam with gentle cut off
- Enables scenes to be manually set for alternate application of the space
- Turn lights on or off remotely for reading or to watch a film
- Note: (one remote required per installation)
- Compared to LV Halogen:
 - Comparable light output so is a one for one replacement
 - Saves over 78% energy for paybacks in less than 12mths
 - Superb efficacy to comply with existing & future regulations
 - Light output and colour is consistent over life
 - No maintenance cost for replacement lamps
- Rugged – will not fail through vibration or hot to cold temperature changes for huge maintenance cost savings
- Can be used in conjunction with presence detectors to provide “instant on/off” for additional energy savings without detriment to LED life as is the case with traditional light sources
- Can be operated 24/7
- Great for small void spaces
- Easy to install through the ceiling cut-out
- Fast & easy access for termination
- Constant spring pressure ensures no bad connections
- Loop in/out is easily accommodated
- Cables are positively fixed for safety
- Plenty of room for routing of conductors
- Horizontal to vertical flexibility for easy ceiling installation

DOWNLIGHTS CAVAN TUNABLE WHITE

ROBUS®

CAVAN 8.5W COB LED DOWNLIGHT, REMOTE CONTROL
DIMMABLE & CCT TUNABLE, 3000K - 6500K, IP65

Product Code:	White: Brushed Chrome:	RC8TW-01 RC8TW-13
Comparable to:	50W Halogen	
Total Power (W):	8.4 - 8.5	
Total Light Output (lm):	650 - 700	
Efficacy (lm / cctW):	77 - 82	
Rated Life (hrs):	50,000	
Warranty (yrs):	5	
Illuminance at 1m (lux):	880-940	
Beam Angle (deg):	44	
CCT (K):	3,000 - 6,500	
CRI (Ra):	82	
Ingress Protection (IP):	65	
Operating Temperature (°C):	-20 ≤ Ta ≤ +40	
Operating Voltage (Vac):	220-240	
Power Factor (PF):	0.8	
Diameter (mm):	90	
Height (mm):	64	
Length (mm):	175	
Cut-Out (mm):	72	
Depth (mm):	61	
Projection (mm):	3	
Box Qty:	1	
Weight (kg):	0.22	



Accessories:

RC8REM – Remote Control (Minimum of one required per installation)

Standards & Approvals:

Complies with: EN 60598-1, EN 60598-2-2, EN 55015, EN 60001-3-2, EN 60001-3-3, EN 62493, EN61547, EN 62471,

Cone Illuminance Diagram:

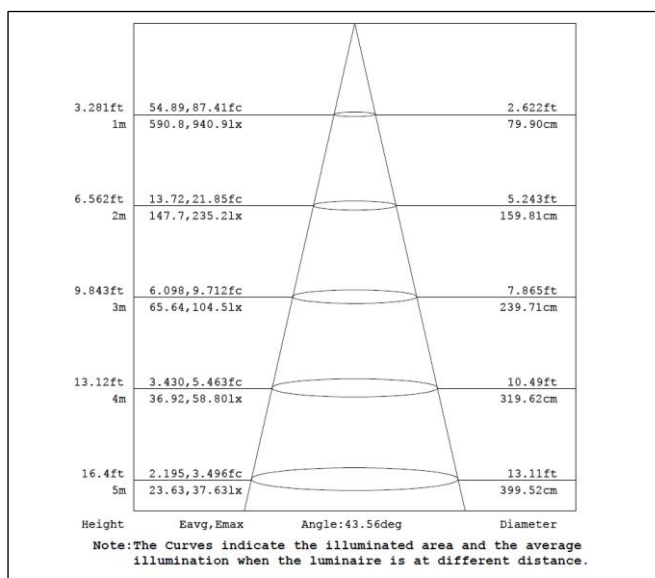
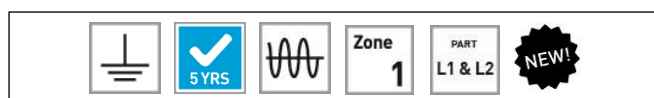


Diagram for RC8TW 6500K. Other diagrams available on request



Polar Intensity Diagram:

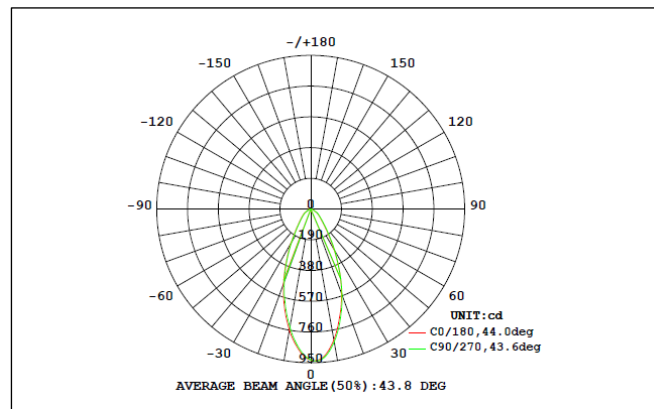


Diagram for RC8TW 6500K. Other diagrams available on request