

**ROBUS<sup>®</sup>**

QUALITY PRODUCTS BY LED GROUP

**KERRY 7W IP44 LED HALF LANTERN 4000K  
WHITE OR BLACK****RKE00740-01, RKE00740-04**

**PLEASE READ INSTRUCTION BEFORE COMMENCING INSTALLATION AND RETAIN FOR FUTURE REFERENCES.**  
! Electrical products can cause death or injury, or damage to property. If in any doubt about the installation or use of this product, consult a competent electrician

**Note:**

**Product technical information and specification may change over time without prior notification**  
For the latest technical information please visit our web site [www.ledgrouprobust.com](http://www.ledgrouprobust.com) or [robustdirect.com](http://robustdirect.com)

**Specifications**

Model No.	RKE00740
Voltage:	220-240V~50/60Hz
Power:	7W
Lumen:	385lm
CCT:	4000K
CRI :	85
Beam Angle:	120°
Ta Range:	-20°C < ta < 45°C
IP Rating :	44
Safety Class:	Class II
Dimensions :	(H)360 x (W)180 X (D)100
Weight :	0.5Kg
Warranty :	3 year
Installation :	Wall mounted,

**Installation**

1. Ensure mains supply is switched off before commencing work.
2. Remove the front cover.
3. Mark appropriate fixing points on wall; check that fixings will not impinge on concealed cables or pipes before drilling holes.
4. Introduce the cable through cable entry, connect supply to the terminal block, Brown (live) to L and Blue (neutral) to N
5. Attach fitting to wall by screws provided, ensure that it is secure
6. Attach cover to base, ensure that the screws are tight and cover is secure

This product has no user serviceable parts. If any part is damaged, disconnect from mains and discontinue use.

Suitable for mounting on normally flammable surface

**Information for the Product user:**

1. Please note the requirement to dispose of Waste Electrical & Electronic Equipment separately from household waste (WEEE marked with crossed out wheellie bin symbol).
2. Please consider your role in contributing to re-use and recycling by returning this product at end of life to a collection centre for waste electrical equipment or a Civic Amenity site, or to a retail outlet from which you are purchasing a replacement.
3. This equipment may contain substances that are hazardous to health and the environment if disposed of carelessly. It is important that it is separated from normal household waste and recycled in the WEEE chain
4. The "crossed out wheellie bin symbol" on a product indicates this equipment must not be disposed of in normal household waste, but should be disposed of according to local WEEE regulations

**The Installation must be carried out by an electrician**

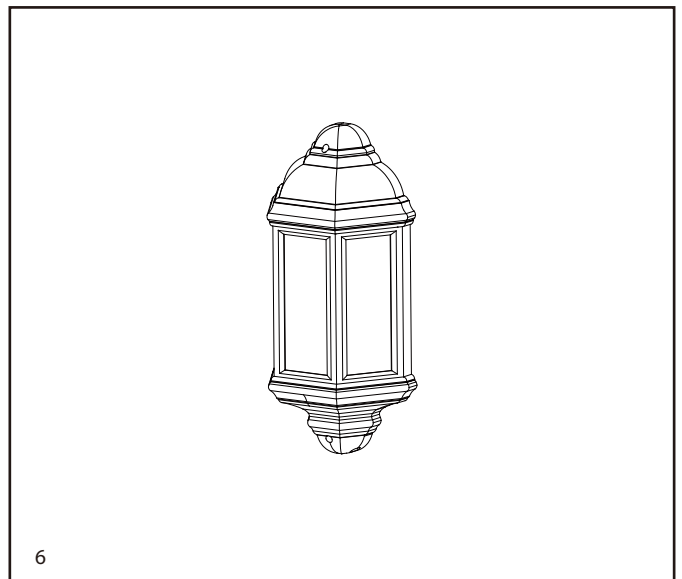
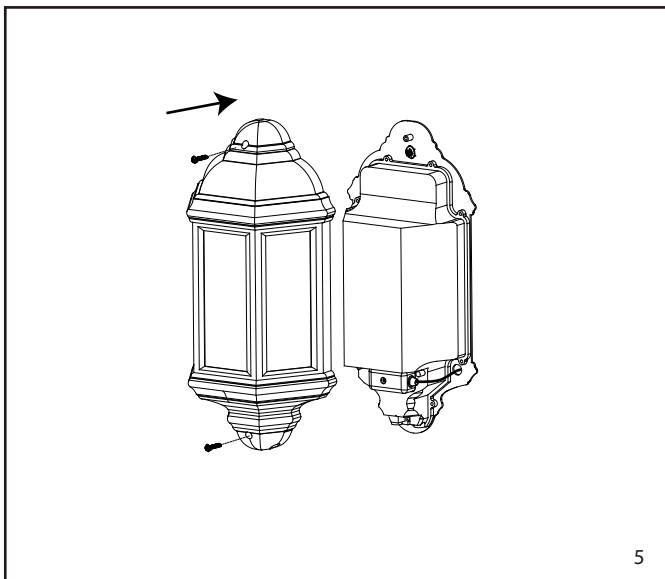
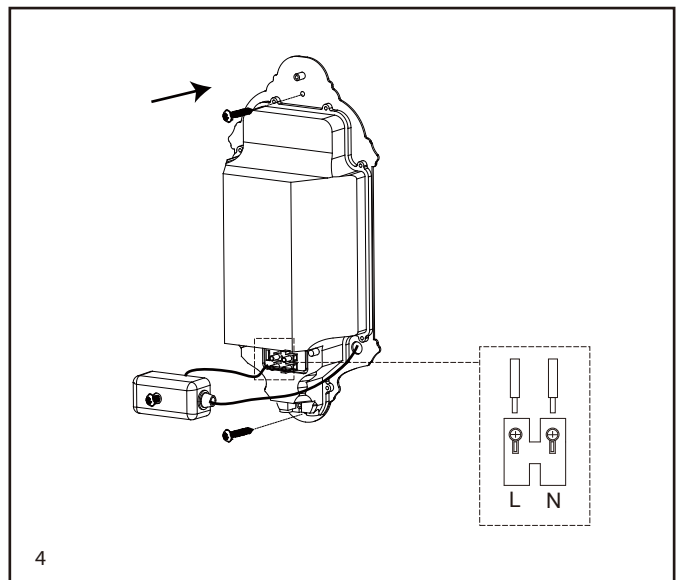
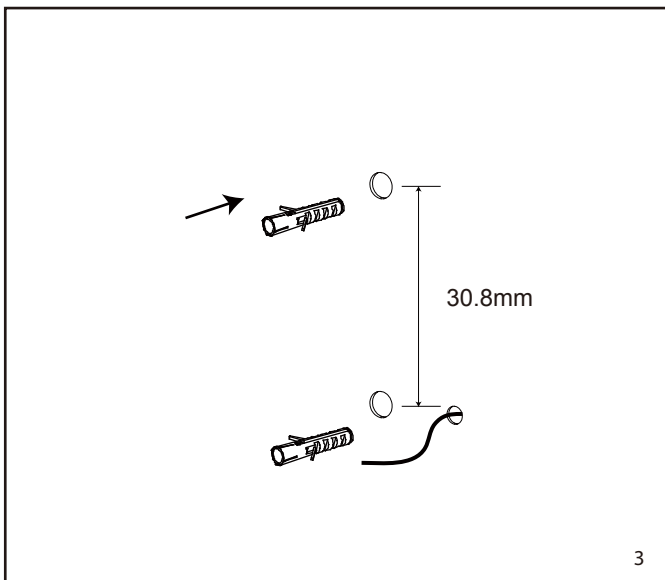
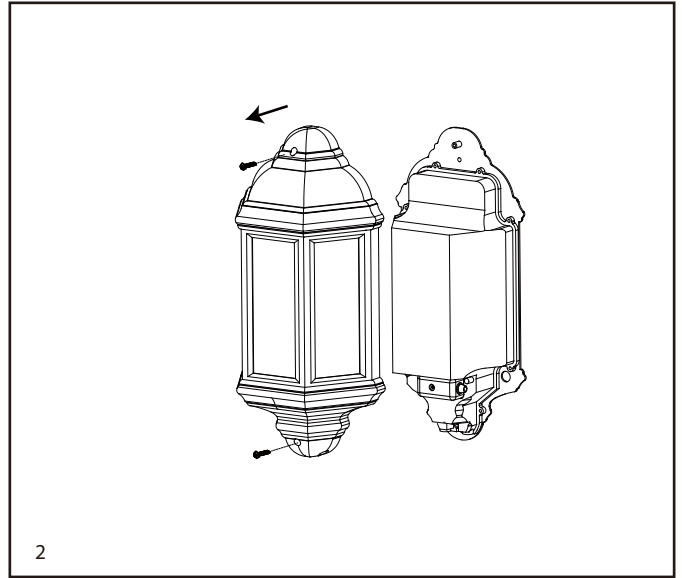
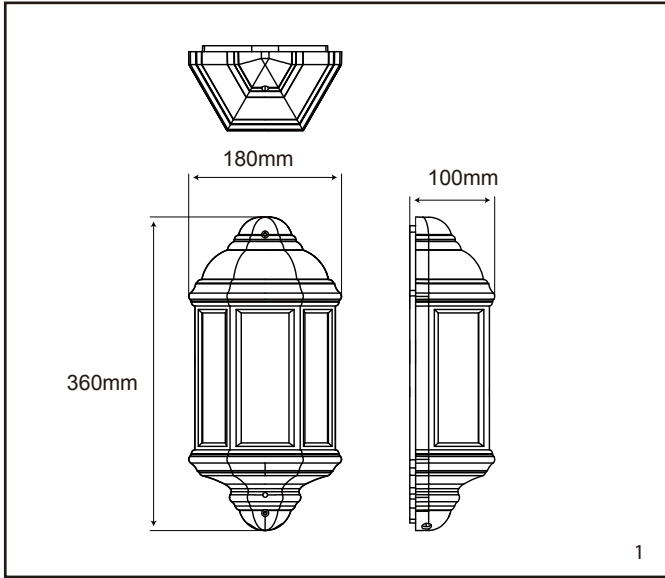
**LED Group**

Western Retail Park  
Nangor Road  
Dublin 12  
Ireland  
Issue 1 050914

Tel: +353 1 7099000  
Fax: +353 1 7099060  
Email: [info@led.ie](mailto:info@led.ie)  
Website: [www.led.ie](http://www.led.ie)



# Specifications



**The Installation must be carried out by an electrician**

**LED Group**  
Western Retail Park  
Nangor Road  
Dublin 12  
Ireland  
Issue 1 040914

Tel: +353 1 7099000  
Fax: +353 1 7099060  
Email: info@led.ie  
Website: www.led.ie

