

KERRY 7W IP44 LED HALF LANTERN WITH PIR 4000K, WHITE OR BLACK

RKE00740PIR-01, RKE00740PIR-04

PLEASE READ INSTRUCTION BEFORE COMMENCING INSTALLATION AND RETAIN FOR FUTURE REFERENCES.
! Electrical products can cause death or injury, or damage to property. If in any doubt about the installation or use of this product, consult a competent electrician

Note:

Product technical information and specification may change over time without prior notification
For the latest technical information please visit our web site WWW.ledgrouprobus.com or robustirect.com

Specifications

Model No.	RKE00740PIR
Voltage:	220-240V~50/60Hz
Power:	7W
Lumen:	385lm
CCT:	4000K
CRI :	85
Beam Angle:	120°
Ta Range:	-20°C < ta < 45°C
IP Rating :	44
Safety Class:	Class II
Detection range:	Max.8m range
Mounting Height:	Max 2.5m
Delay time:	Adjustable time delay 5 seconds ~ 7 minutes
Light Level Adjustment:	Daylight to night adjustable
Dimensions(mm):	(H)360 x (W)180 X (D)100
Weight :	0.7Kg
Warranty :	3 year
Installation :	Wall mounted,

Suitable for mounting on normally flammable surface

Installation

1. Ensure mains supply is switched off before commencing work.
2. Remove the front cover
3. Mark appropriate fixing points on wall; check that fixings will not impinge on concealed cables or pipes before drilling holes.
4. Introduce the cable through cable entry, connect supply to the terminal block, Brown (live) to L and Blue (neutral) to N
5. Attach fitting to wall by screws provided, ensure that it is secure
6. Attach cover to base, ensure that the screws are tight and cover is secure

This product has no user serviceable parts. If any part is damaged, disconnect from mains and discontinue use.

Walk testing can then be carried out to determine detection area with slow walking pace. When the sensor detects movement, the fitting will be switched on for the pre-set time. For the walk test turning the Lux control toward the sun position and set time delay to 5s and establish sensor functionality. When finished, set controls to desired levels.

Note: Once sensor has been triggered, subsequent detection restarts timing period from beginning, so light stays on until set time elapses after last triggering

Information for the Product user:

1. Please note the requirement to dispose of Waste Electrical & Electronic Equipment separately from household waste (WEEE marked with crossed out wheellie bin symbol).
2. Please consider your role in contributing to re-use and recycling by returning this product at end of life to a collection centre for waste electrical equipment or a Civic Amenity site, or to a retail outlet from which you are purchasing a replacement.
3. This equipment may contain substances that are hazardous to health and the environment if disposed of carelessly. It is important that it is separated from normal household waste and recycled in the WEEE chain
4. The "crossed out wheellie bin symbol" on a product indicates this equipment must not be disposed of in normal household waste, but should be disposed of according to local WEEE regulations

The Installation must be carried out by an electrician

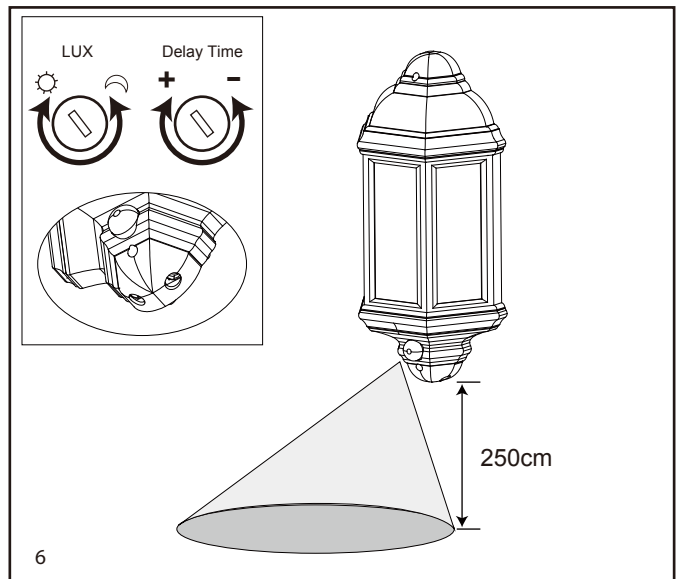
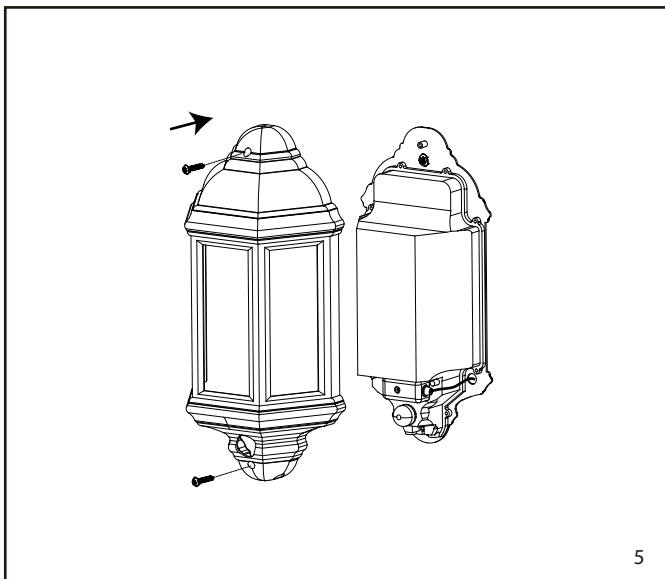
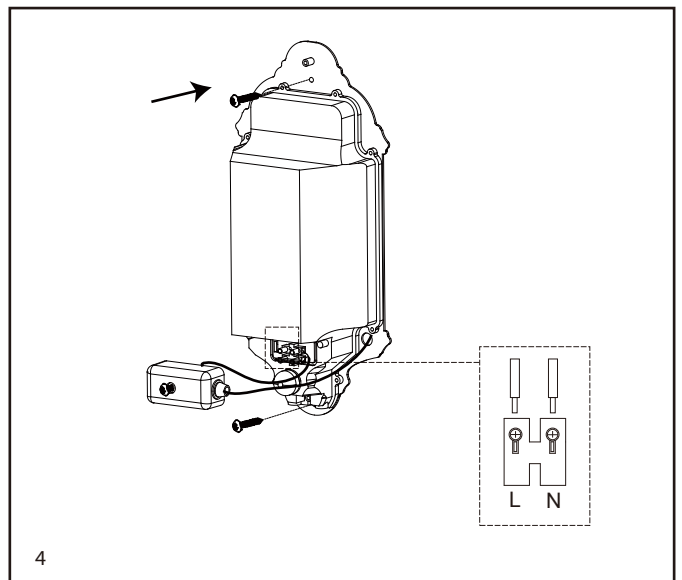
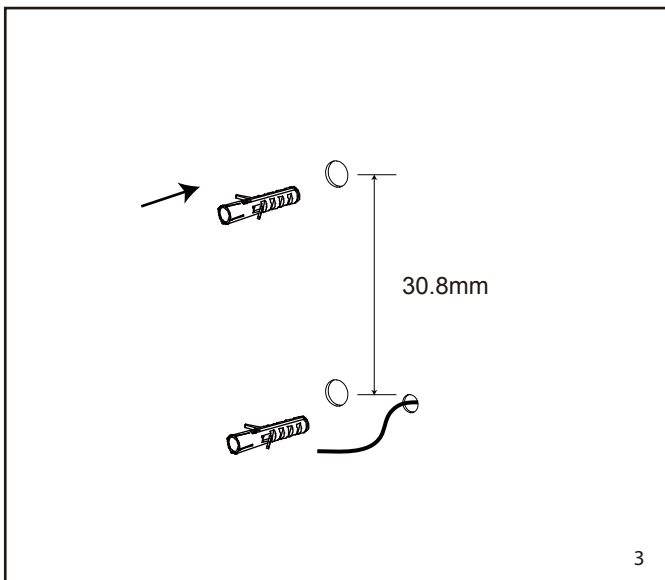
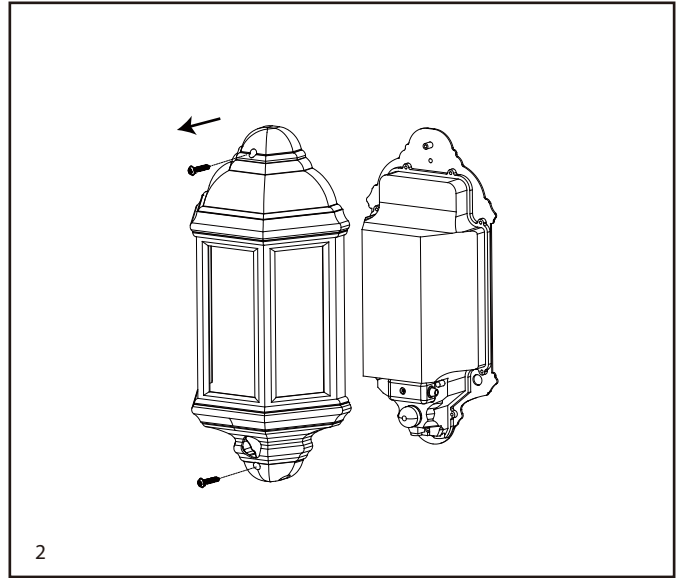
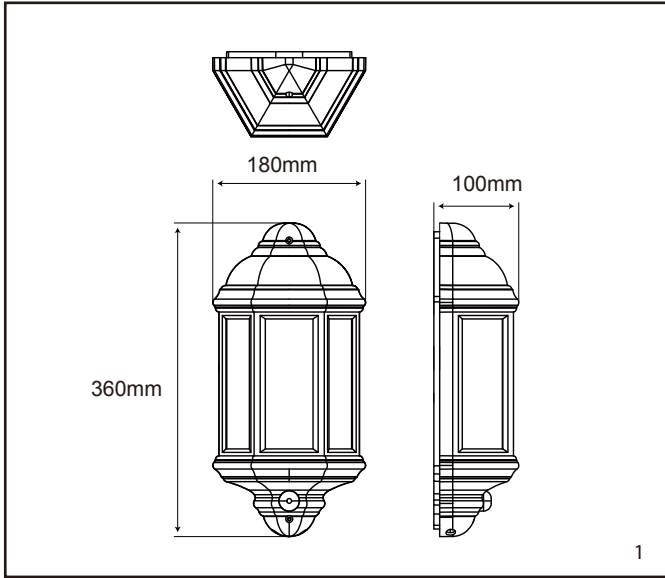
LED Group

Western Retail Park
Nangor Road
Dublin 12
Ireland
Issue 1 050914

Tel: +353 1 7099000
Fax: +353 1 7099060
Email: info@led.ie
Website: www.led.ie



Specifications



The Installation must be carried out by an electrician

LED Group
Western Retail Park
Nangor Road
Dublin 12
Ireland
Issue 1 040914

Tel: +353 1 7099000
Fax: +353 1 7099060
Email: info@led.ie
Website: www.led.ie

