

TROY 10W LED TRACK SPOT

Available in Warm or Neutral white light colour temperatures, this great looking LED track spot will look superb in commercial, domestic or retail premises. It is designed to replace lower wattage MH and surpasses the performance of traditional PAR or Halogen lamps by some margin to provide a low running cost and energy efficient installation



**Applications:**

- Museum displays
- Bedrooms
- Shop window and Gondola displays
- Restaurants
- Hotels & pubs
- Showrooms
- Entertainment venues
- Hairdressers & salons

**Construction:**

Powder coated aluminium housing  
 Polycarbonate lens, silver reflector and cover  
 Polycarbonate Mechanical/Electrical track adapter  
 FR-4 laminate PCB

**Features:**

- Contemporary design white or black powder coated die-cast aluminium main body with integrated heat sink fins
- Compatible with Robus and many other single circuit tracks
- Adjustable head with large horizontal and vertical rotation
- High quality CITIZEN ELECTRONICS COB LED
- High quality driver
- Solid state technology
- Suitable for timeclock, microwave, PIR and/or photocell control
- Warm and Neutral white colour temperature versions with high CRI
- No ultra-violet or infra-red emitted in the light beam
- Wide operating temperature range

**Benefits:**

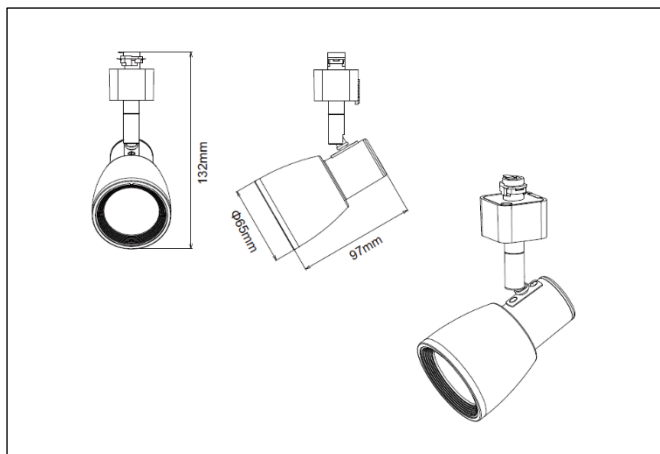
- Modern looking attractive aesthetic with choice of colour
- Quality feel and finish
- Provides excellent heat dissipation for the LED's for longer life
- This stylish spot can run alongside other manufacturers fittings
- Fitting can quick and easily moved to another track position
- The fitting can be aimed at specific areas or display items
- The items to be illuminated aren't required to be immediately below the fitting
- Direction of light can quickly and easily be changed to accommodate change of display position
- Exceptional lumen output with little depreciation over time
- Stable colour temperature without colour shift
- Low power consumption
- High efficacy
- Long rated LED life
- Provides stable drive current for optimum LED performance and long life
- Rugged with long life
- No heat filaments or electrodes to prematurely fail through vibration & hot to cold temperature variations
- Provides energy savings when lighting not required e.g. shop window after midnight
- Instant on/off to illuminate exhibit items when people detected
- Alternative CCT's for either a relaxing ambience or task-oriented lighting, both providing high quality colour rendition
- Will not fade or damage sensitive display materials
- Ideal where displays are kept at low temperature to avoid materials drying out

# TRACKS & PROJECTOR



## TROY 10W LED TRACK SPOT

Product Code:	White: Black:	RTY1040-01 RTY1040-04	RTY1030-01 RTY1030-04
Comparable to:		20W metal halide	
Total Power (W):		9.4	9.7
Total Light Output (lm):		930	930
Efficacy (lm / cctW):		99	96
Rated Life (hrs):		30,000	30,000
Warranty (yrs):		3	3
Illuminance at 1m (lux):		1,420	1,500
Beam Angle (deg):		40	40
CCT (K):		4,000	3,000
CRI (Ra):		80	80
Ingress Protection (IP):		20	20
Operating Temperature (°C):		-20 ≤ Ta ≤ +40	-20 ≤ Ta ≤ +40
Power Factor (PF):		0.95	0.95
Horizontal plane rotation (Deg):		350	350
Vertical plane rotation (Deg):		90	90
Height (mm):		132	132
Length (mm):		97	97
Width (mm):		65	65
Box Qty:		1	1



### Accessories:

- R1T-XX 1M TRACK, 16A
- R2T-XX 2M TRACK, 16A
- R3T-XX 3M TRACK, 16A
- RC-XX TRACK COUPLER
- RL-XX TRACK L JOINER
- RT-XX TRACK T JOINER
- RLE-XX TRACK LIVE END

**Note: Replace XX above with 01 for white or 04 for black**

### Standards & Approvals:

Complies with: EN 55015, EN 61000-3-2, EN 61000-3-3, EN 61547, EN 60598-1, EN 60598-2-1, EN 62031, EN 62493

### Cone Illuminance Diagram:

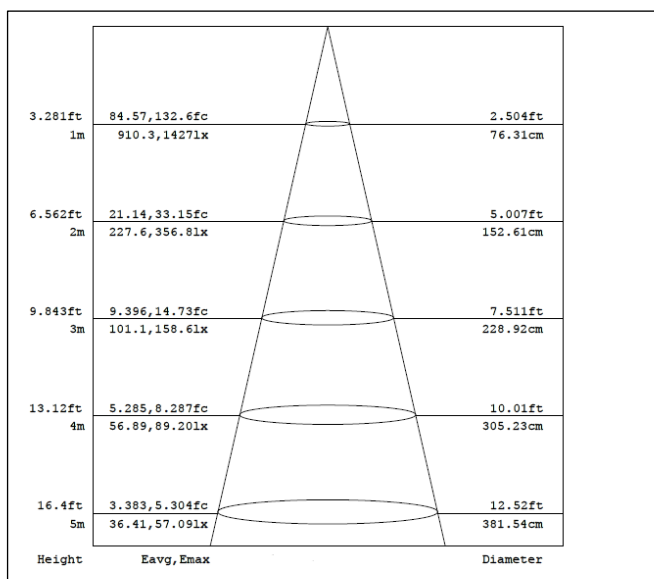
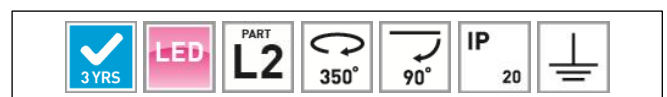


Diagram for RTY1040-xx in 4,000K. Other diagrams available on request



### Polar Intensity Diagram:

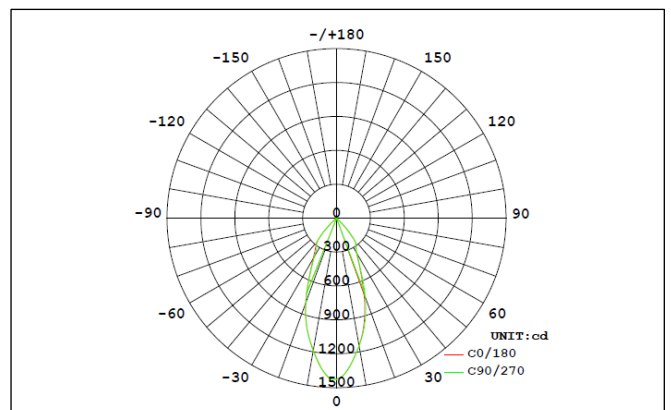


Diagram for RTY1040-xx in 4,000K. Other diagrams available on request



PLEASE NOTE: INFORMATION IN THIS DOCUMENT MAY BE SUBJECT TO CHANGE WITHOUT PRIOR NOTICE

IRE: TEL: +353 1 709 9000 WEB: WWW.LEDGROUPROBUS.COM  
 AUS: TEL: +61 7 3890 5444 WEB: WWW.LEDGROUPROBUS.COM.AU