

RADAR 360° MW SENSOR, WITH 3 STEP DIMMING, IP65, WHITE

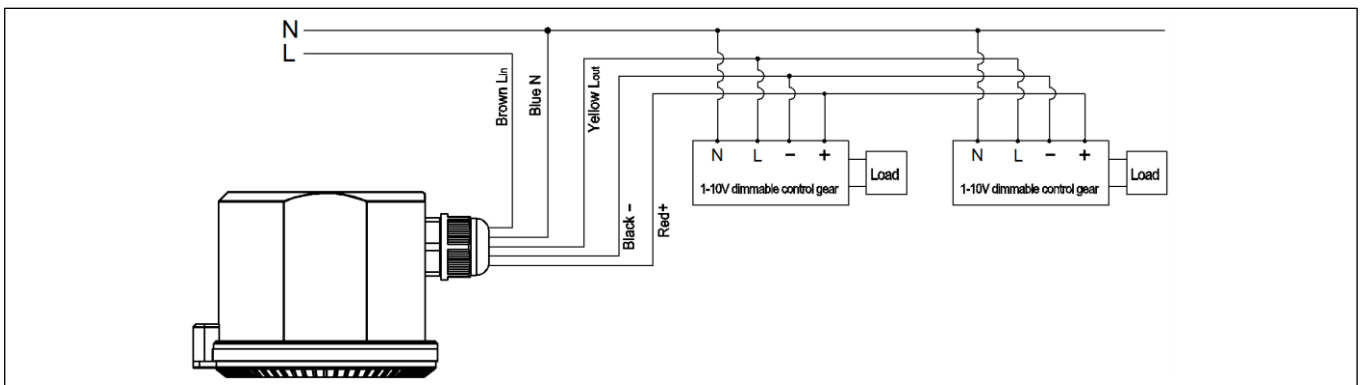
These sensors primary function is to save energy when the detection area is not occupied. They require the fitting to have a 1-10VDC dimmable driver and can control up to 800W of LED load. Parameters are selected via dip-switches on the sensor.

These sensors provide a 3-step control function where:

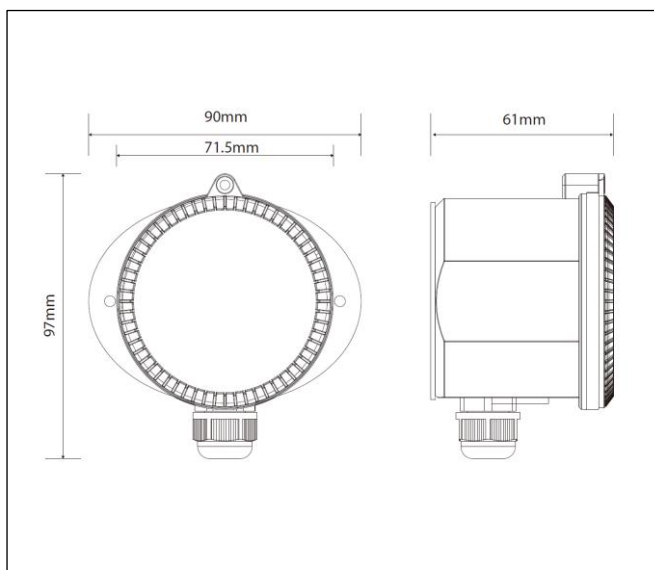
- I. Detection triggers light output to 100% (May be inhibited by lux setting)
- II. After time-out it reduces light output to a selectable standby level for a standby time (this may be indefinite) before:
- III. Turning the output to the driver off

Product Code:	RRD360MW-01
Maximum Load Incandescent/fluorescent/LED (W):	1,200/ 800/ 800
MIN/MAX Mounting Height (m):	4-15
Detection zone diameter @ Min/Max mounting height (m):	8-20
Detection Angle (deg):	360
Sensitivity (%):	50/100
Hold Times:	5s/30s/90s/3min/5min/10min/20min/30min
Lux Switching Levels (lx):	2/10/50/Full Daylight
Default Standby Level Before Off (%):	10/20/30/50
Standby Times Before Off (min):	0s/10s/60s/5min/10min/30min/60min/∞
Warranty (yrs):	5
Ingress Protection (IP):	65
Impact Rating (IK):	10
Operating Temperature (°C):	-20 ≤ Ta ≤ +40
Operating Voltage (Vac):	220-240
Length (mm):	97
Width (mm):	90
Depth (mm):	61
Box Qty:	1
Weight (kg):	0.3

Wiring Diagram:



Dimensions:



Standards & Approvals:

Complies with: EN 60669-1, EN 60669-2-1, EN 55014-1, EN 55014-2, EN6100-3-2, EN6100-3-3



Detection Zone Diagram:

