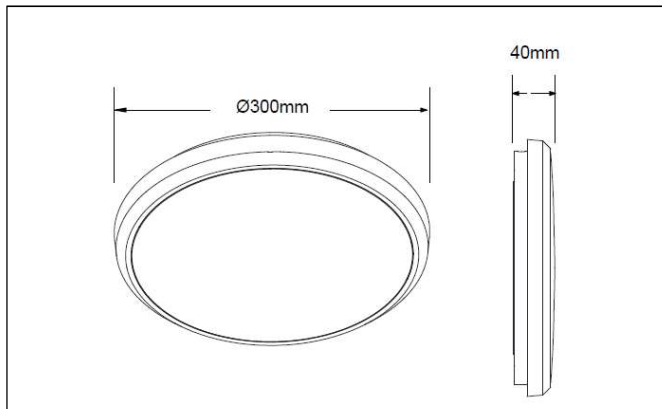


ELEGANCE 13W & 18W IP54 LED NON-DIMMABLE SLIMLINE BULKHEAD

Product Code:		
Standard	REA1340-01	REA1840-01
Microwave Sensor	REA1340S-01	REA1840S-01
Comparable to:	26W PL fluorescent	2x18W PL fluorescent
Total Power (W):	12.9	17.9
Total Light Output (lm):	1,360	1,810
Efficacy (lm / cctW):	105	101
Rated Life (hrs):	30,000	30,000
Warranty (yrs):	3	3
Illuminance at 1m (lux):	130	180
Beam Angle (deg):	110	110
CCT (K):	4,000	4,000
CRI (Ra):	80	80
Ingress Protection (IP):	54	54
Impact Rating (IK):	10	10
Operating Temperature (°C):	-20 ≥ +40	-20 ≥ +40
Power Factor (PF):	0.97	0.97
Height (mm):	44	44
Diameter (mm):	300	300
Box Qty:	1	1
Weight (kg):	1.05	1.05



Standards & Approvals:

Complies with: EN 60598-2-1, EN 60598-2-2, EN 55015, EN 61000-3-2, EN 61000-3-3, EN 61547, EN 62471, EN 62493, EN 62384

Cone Illuminance Diagram:

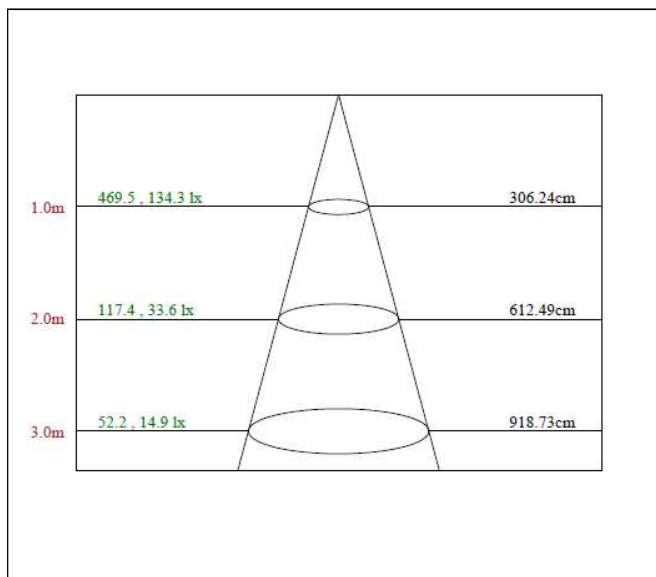


Diagram for REA1340-01 in 4,000K. Other diagrams available on request



Polar Intensity Diagram:

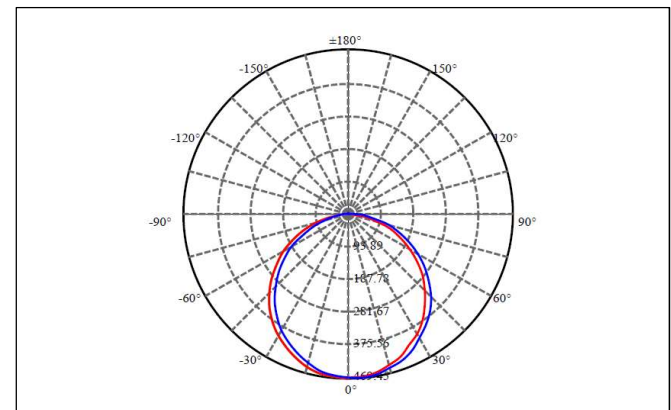


Diagram for REA1340-01 in x,400K. Other diagrams available on request