

ALEXANDER LED batten, IP20, White, 4000K

The Alexander LED batten provides a premium high-quality lighting solution to replace T5 and T8 traditional single and twin fluorescents. Available in a range of lengths, wattages and lumen packages it provides exceptional efficacy of around 120 luminaire lumens per circuit watt to ensure the Carbon Footprint of the building is minimised whilst reducing costs of maintenance and inconvenience associated with the unreliability of these light sources



**Applications:**

- Commercial offices and corridors
- Retail shop sales areas and store rooms
- Health centres
- Classrooms
- Workshops
- Garages
- Work stations

**Construction:**

Description of product construction  
 White powder coated pressed steel housing  
 Opal polycarbonate diffuser  
 FR-4 Aluminium laminate PCB

**Features:**

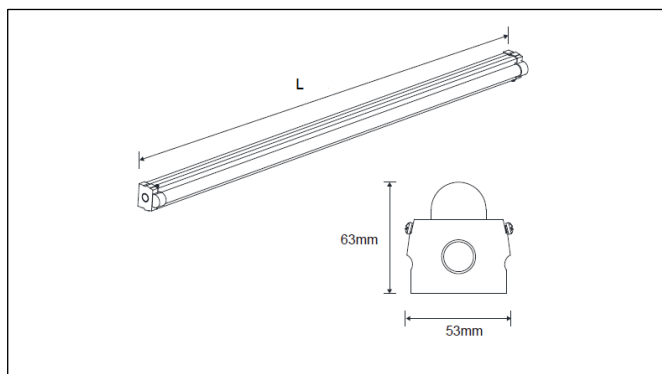
- Complete range of lengths, wattages and lumen packages
- Integral emergency available in all versions >600mm length
- Includes BESA box mounting facility, pre-stamped surface fixing holes and suspension fixing points
- White powder coated pressed steel two-part housing with retaining screws and removable nylon supporting straps between them  
The base contains the driver and termination area with 4 large terminals  
The LED housing section has a 4-pin plug connecting it to the driver supply
- Opal polycarbonate diffuser
- Utilises XUYU high quality LM80 tested and approved SMD LED's
- Uses the industry standard TM21 extrapolation method to accurately determine Rated LED life
- Solid state technology and Robus optimised driver design
- Wide ambient operating temperature range

**Benefits:**

- Provides solutions to replace all sizes of T5 and T8 fittings on a one for basis with improved lighting performance and efficiency
- Provides emergency light outputs greater than most competitors to ensure exit routes are illuminated to a safe level without the need for additional dedicated emergency fittings
- Provides for a number of methods of installation
- Strong and durable with an IK08 impact rating
- Easy open and disassembly of the 2 housing sections provides for fast and simple installation
  - Allows the base to be quickly and easily mounted
  - The supply electrical connection to be made. The terminals allow for multiple conductors to accommodate loop in/out and control sensors
  - The LED section is then plug and play at a later time whilst the section is supported by the nylon body straps
- Light output is diffused to provide a low glare solution with even light spread and uniformity
- Many suppliers quote LED performance without being able to provide evidence
- Results from our rigorous testing show these fittings to have:
  - High initial lumen output
  - Minimal lumen depreciation over time
  - Accurate colour temperature and CRI without shift
  - High efficacy
  - Exceptionally long Rated LED life
- Allows the fitting to be controlled by PIR, Microwave or photocell sensors without detriment to LED or driver life
- Provides additional energy savings to reduce carbon emissions
- Ideal for cold unheated areas or hot buildings like care homes

## ALEXANDER LED batten, IP20, White, 4000K

Product Code:	RAE204006-01	RAE244012-01 RAE244012E-01	RAE404012-01 RAE404012E-01	RAE404015-01 RAE404015E-01	RAE604015-01 RAE604015E-01	RAE484018-01 RAE484018E-01	RAE804018-01 RAE804018E-01
Standard Emergency							
Comparable to:	2X18W T8	1x36W T8	2x36W T8	1x58W T8	2x58W T8	1x70W T8	2x70W T8
Total Power (W):	19.5	22.6	39.2	38.4	55.4	51.0	83.2
Total Light Output (lm):	2,340	2,870	4,900	4,640	6,690	6,000	9,840
Emergency Mode Light Output (lm):	NA	380	440	350	440	420	400
Efficacy (lm / cctW):	120	127	125	121	121	118	118
Rated Life (hrs):	50,000	50,000	50,000	50,000	50,000	50,000	50,000
Warranty (yrs):	5	5	5	5	5	5	5
Illuminance at 1m (lux):	660	820	1,450	1,310	1,890	1,700	2,790
Emergency Mode illuminance at 1m (lx):	NA	110	120	100	120	120	110
Beam Angle (deg):	130	130	130	130	130	130	130
CCT (K):	4,000	4,000	4,000	4,000	4,000	4,000	4,000
CRI (Ra):	80	80	80	80	80	80	80
Ingress Protection (IP):	20	20	20	20	20	20	20
Impact Rating (IK):	08	08	08	08	08	08	08
Operating Temperature (°C):	-20 ≤ Ta ≤ +40	-20 ≤ Ta ≤ +40	-20 ≤ Ta ≤ +40	-20 ≤ Ta ≤ +40	-20 ≤ Ta ≤ +40	-20 ≤ Ta ≤ +40	-20 ≤ Ta ≤ +40
Output Current (mA):	480	600	1,000	1,000	1,400	1,200	2,000
Operating Voltage (Vac):	220-240	220-240	220-240	220-240	220-240	220-240	220-240
Power Factor (PF):	0.95	0.95	0.97	0.95	0.95	0.95	0.95
Height (mm):	61	61	61	61	61	61	61
Length (mm):	618	1,218	1,218	1,518	1,518	1,780	1,780
Width (mm):	53	53	53	53	53	53	53
Box Qty:	1	1	1	1	1	1	1
Weight (kg):	0.63	1.1/1.56	1.1/1.56	1.39/1.88	1.39/1.88	1.65/2.1	1.65/2.1



### Standards & Approvals:

Complies with: EN 60598-1, EN 60598-2-1, EN 62471, EN 62493, EN 55015, EN 61000-3-2, EN 610003-3, EN 61547

### Accessories:

**RAESUS-2W** 2 wire suspension kit for Alexander range

### Cone Illuminance Diagram:

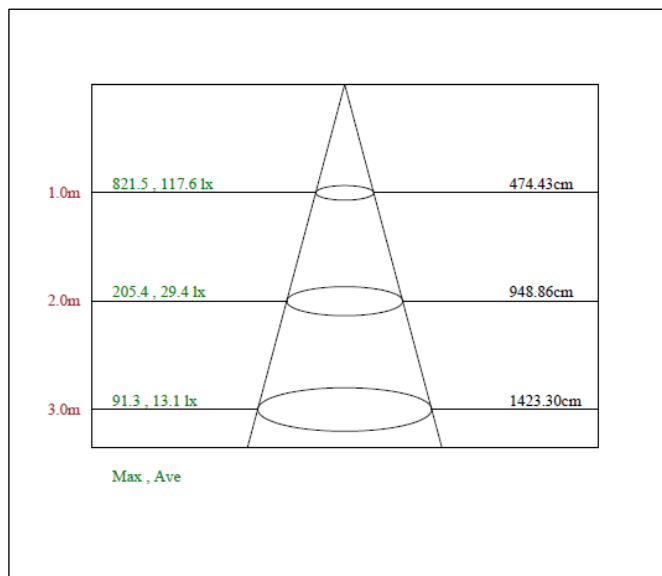


Diagram for RAE244012-01 in 4,000K. Other diagrams available on request



### Polar Intensity Diagram:

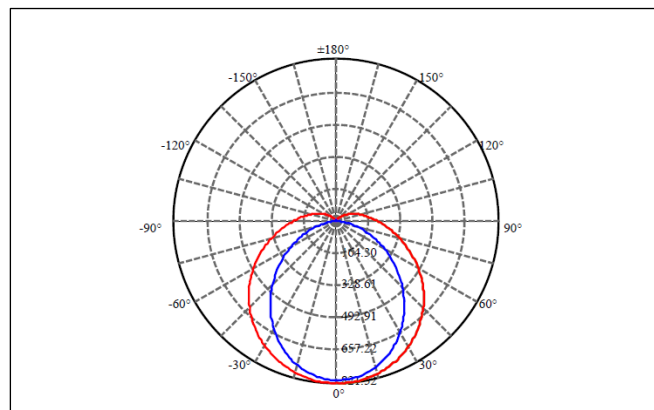


Diagram for RAE244012-01 in 4,000K. Other diagrams available on request