

SURFACE FITTINGS

ROBUS[®]

GOLF LED 7.5W, 10W AND 15W, IP65, 4000K, WHITE, STANDARD, EMERGENCY, INTEGRAL MICROWAVE SENSOR

The LED Golf, renowned for its robust but attractive design, energy saving and high performance, further extends its functionality with the addition of the 15W version with **Integral Microwave Sensor with 3-step dimming**. Often referred to as “corridor function” it provides additional programmable occupancy functionality and standby light level



Applications:

- Commercial building corridors, toilets, kitchens
- Retail shops and Hotels
- Nursing home communal & personal space
- Apartment access stairs & corridors
- Sports centre changing rooms

Construction:

Polycarbonate Body, Trim & Opal diffuser
Metal gear tray with laminate PCB

Operation of the Integral 3-Step Dimming MW sensor version:

On detection of movement the sensor switches the driver to full output. After no detection and a selectable hold time, the sensor reduces driver output to a selectable standby light level for a selectable standby time. The sensor then turns power to the driver off. Standby time can be infinity so the light does not go off.

Features and Benefits:

- Traditional and well accepted design provides a decorative aesthetic together with quality construction materials for long life
- There's a full range of wattages and lumen packages available to provide a solution for most applications to replace traditional fittings with a chrome trim accessory to match bathroom furniture
- Emergency versions retain the same neat aesthetics throughout the building, providing high levels of light for safety on power failure without the cost of additional dedicated emergency fittings
- To save wiring time and often the difficulty and cost of wiring in external sensors, two Integral Microwave versions are available
 - i) On/Off, which provides light only when required and ensures lighting is not on when natural light is sufficient, or the area is not occupied which makes significant energy savings
 - ii) 3-step dimming, or Corridor function, which provides full light output on detection, followed by a standby level so that people not within the sensing zone are warned of impending lights off. Standby light level time can be set to infinity which is particularly useful for flat and apartment access routes where there is no natural daylightAll sensor parameters are DIP switch programmable
- The range utilises high quality SMD LED's to provide greater light output than 2D CFL whilst making energy savings of around 50%
- IES LM80 and TM21 testing together with rigorous complete luminaire age testing ensure long life with no costly failures throughout the rated life of the LED's
- Utilising solid-state lighting technology with no heat filaments or electrodes means these fittings are less susceptible to failure due to hot to cold temperature cycles or building vibration caused by traffic
- “Instant on” and no cool down period means they can be switched by microwave, PIR and/or photocell for even greater energy savings when lighting is not required
- Keyhole gear-tray slots allow for fast and simple access to the termination area which has a large traditional terminal block to ensure solid connection
- Using a dedicated LED gear-tray ensures cooler running for long life and a more efficient solution than retro-fit 2D LED lamps which yield up to 50% less light and are prone to theft
- Having an IK09 tested PC construction with rubber seal means:

They are flexible and won't crack when mounted on uneven surfaces

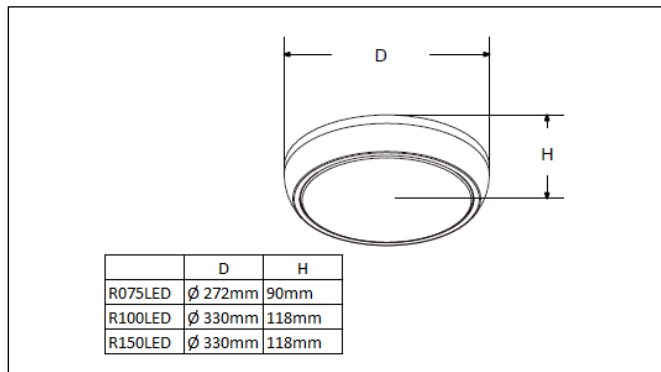
They are protection against ingress of dust and water jets and will not corrode so give long service life
- A high efficiency Pro-Diffuser provides maximum light transmission and excellent light uniformity with reduced eye glare for a more comfortable working environment
- Gland entry points and centre body BESA box mounting facility provide options to cater for most surface or conduit wiring infrastructures

SURFACE FITTINGS

GOLF LED 7.5W, 10W AND 15W, IP65, 4000K, WHITE,
STANDARD, EMERGENCY, INTEGRAL MICROWAVE SENSOR

ROBUS®

Nominal Power (W):	7.5W	10W	15W
Product Codes:	Standard: R075LED-01	R100LED-01	R150LED-01
	Emergency: R075LEDE-01	R100LEDE-01	R150LEDE-01
	On/Off Microwave Sensor: R075LEDS-01	R100LEDS-01	R150LEDS-01
	Emergency + On/Off Microwave Sensor: NA	R100LEDES-01	R150LEDES-01
	Microwave Sensor with 3-Step Dimming: NA	NA	R150LED3SD-01
	Emergency + Microwave Sensor with 3-Step Dimming: NA	NA	R150LEDE3SD-01
Comparable to 2D Fluorescent (W):	16	28	38
Total Power (W):	7.0	10.6	14.6
Total Light Output (lm):	640	860	1,250
Efficacy (lm / cctW):	91	82	86
Rated LED Life (hrs):	50,000	50,000	50,000
Warranty (yrs):	5	5	5
Illuminance at 1m (lx):	210	270	410
Beam Angle (deg):	110	110	110
CCT (K):	4,000	4,000	4,000
CRI (Ra):	80	80	80
Emergency Light Output (lm):	180	180	180
Emergency Illuminance at 1m (lx):	60	60	60
Ingress Protection (IP):	65	65	65
Impact Rating (IK):	09	09	09
Glow Wire Rating (°C):	650	650	650
Operating Temperature (°C):	-20 ≤ Ta ≤ +40	-20 ≤ Ta ≤ +40	-20 ≤ Ta ≤ +40
Operating Voltage (Vac):	220-240	220-240	220-240
Power Factor (PF):	0.9	0.9	0.9
Height (mm):	90	118	118
Diameter (mm):	272	330	330
Box Qty:	1	1	1
Weight (kg):	1.09/1.2	1.4/1.8	1.4/1.8



Accessories:

- R162TRIM-03** Polished Chrome Trim, Ø272mm
R282TRIM-03 Polished Chrome Trim, Ø330mm

Microwave sensor data:

Time off delay:	5s to 30m
Illuminance switching range:	Disabled, 2 lx to 50lx
Sensitivity range (%):	10, 25, 50, 75, 100
Mounting height (max):	10W at 3m, 15W at 4.5m
Detection zone diameter (max):	12m

Standards & Approvals:

Complies with: EN 60598-1, EN 60598-2-1, EN 55015, EN61547, EN 6100-3-2, EN 6100-3-3, EN 50581

Cone Illuminance Diagram:

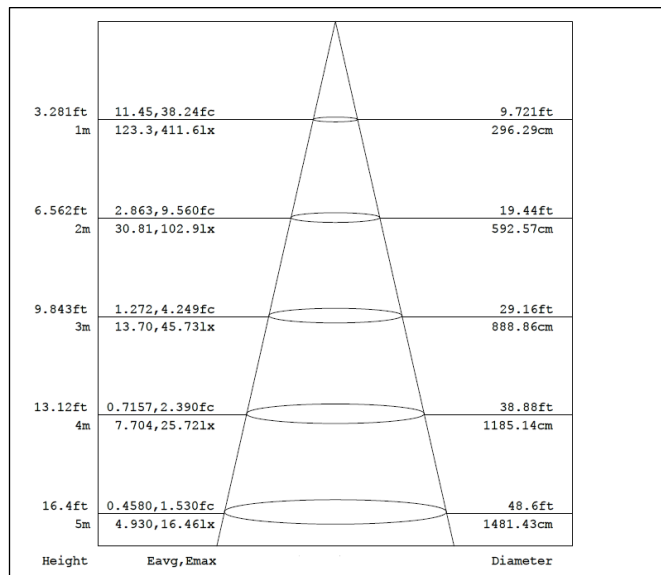


Diagram for R150LED-01. Other diagrams available on request



Polar Intensity Diagram:

