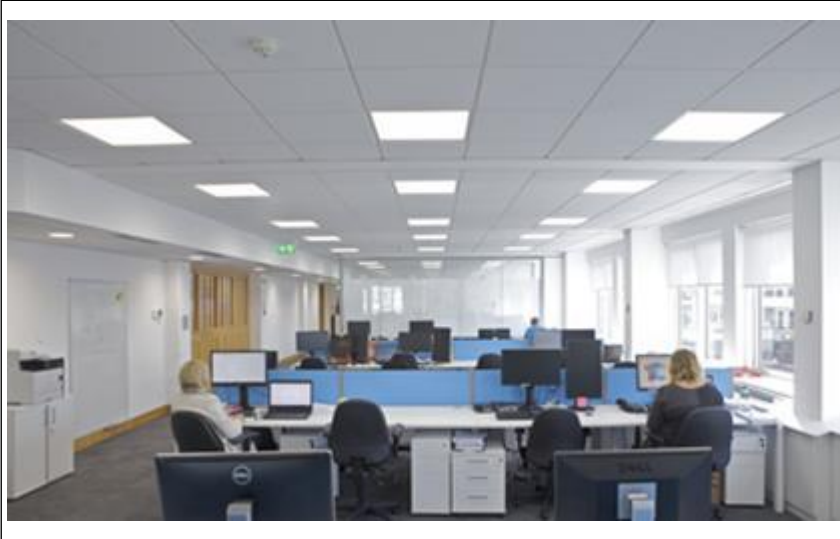


SPACE UGR LED PANEL LIGHT

This version of the LED Space panel with its specially designed optics provides a complete solution for those installations needing to comply with the requirements of Part B fire regulations, CIBSE and EU norm EN12464 with regard to Glare and Luminance. Superb light output, low power consumption and high efficacy together with high specification components also allow the fitting to comply with the requirements of many EU member government incentives which effectively reduces the cost of the complete installation by a significant percentage

**Applications:**

- Offices
- Hospitals & Health Centres
- Shops
- Hotels
- Schools & Colleges
- Receptions
- Inspection areas

Construction:

White powder coated aluminium frame
Polystyrene TP_b rated diffuser
Steel back plate

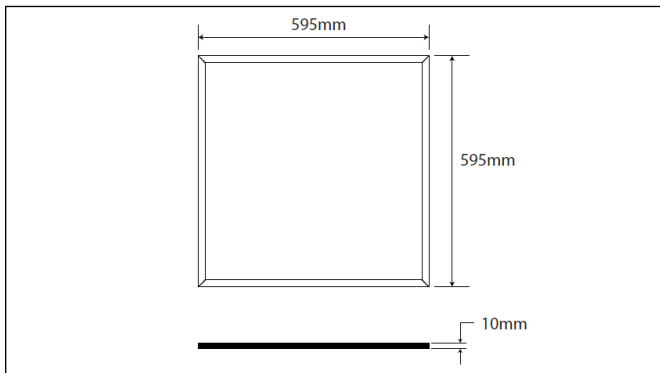
Features and Benefits:

- The Space LED Panel has a UGR rating of ≥ 19 for most room sizes in the UGR table so is compliant with the EN12464 and CIBSE requirements for many installations
- The fitting diffuser is independently tested and complies with the requirements of Building Regulations Part B Fire so is suitable for installation in most lighting designs of commercial lighting
- Third party testing of the complete fitting allow the range to comply with the requirements of many EU member government incentives which effectively reduces the cost of the installation
- The fitting is very slim, with clean stylish lines and is finished with a white powder coated aluminium trim to provide a minimalist, attractive look to match most T-bar grid finishes. It also makes for easier installation where the void space has a number of other services
- It is available in two colour temperatures, so provides a choice of CCT depending on use of the lit space
- The driver primary side is pre-wired with the male half of our Swift 4 pole connector with the female part supplied for wiring to the supply infrastructure. Four large terminals allow for a number of conductors for loop in/out and permanent and switched live supplies
- There is also a plug & play connector between the driver secondary side and the panel which allows for fast panel installation after the ceiling is complete and/or painted. This ensures no damage occurs to the panel
- High quality SMD LED's with certified LM80 LED data and TM21 testing are used in the luminaires to substantiate our claims of:
 - High luminous flux with low lumen depreciation
 - Low power consumption
 - Exceptionally high efficacy
 - Long LED Rated Life
- LED is Solid State Technology with no heat filaments or electrodes entering a gas filled bulb or tube so avoids the typical failure mode of fluorescent fittings

There is also no warmup/cooldown time which means the panel is suitable for switching by a range of sensors to save energy
- High specification control gear ensures the LED's are driven at the optimum drive current to further enhance LED life
- The Plug & Play emergency kit option is pre-wired to connectors which allows fast interconnection to the standard fitting connectors. It also provides double the light output of many competitor emergency solutions to ensure safe traverse of the building on mains failure
- A universal DALI, Analogue 1-10v, SwitchDim driver option is available to provide automatic dimming using Daylight Harvesting for further energy savings using appropriate sensors, or functional dimming for meeting rooms using a retractive switch and the SwitchDim function
- There is a full choice of installation accessories suitable for suspension, surface or recessed ceiling mounting

SPACE UGR LED PANEL LIGHT

| Product Code: | RSP304060UGR-01 | RSP305060UGR-01 |
|-----------------------------|-----------------|-----------------|
| Comparable to: | 4x18W T8 | 4x18W T8 |
| Total Power (W): | 30.8 | 31.0 |
| Total Light Output (lm): | 3,440 | 3,560 |
| Efficacy (lm / cctW): | 112 | 115 |
| Illuminance at 1m (lux): | 1,460 | 1,520 |
| Beam Angle (deg): | 90 | 90 |
| CCT (K): | 4,000 | 5,000 |
| CRI (Ra): | 80 | 80 |
| Rated Life (hrs): | 50,000 | 50,000 |
| Warranty (yrs): | 5 | 5 |
| Ingress Protection (IP): | 20 | 20 |
| Operating Temperature (°C): | -20 ≤ Ta ≤ +40 | -20 ≤ Ta ≤ +40 |
| Operating Voltage (Vac): | 220-240 | 220-240 |
| Power Factor (PF): | 0.9 | 0.9 |
| Length (mm): | 595 | 595 |
| Width (mm): | 595 | 595 |
| Depth (mm): | 10 | 10 |
| Box Qty: | 1 | 1 |
| Weight (kg): | 2.9 | 2.9 |



Accessories:

- HED2040-D** DALI, 1-10V, SWITCH DIM, 40W RATED DRIVER
- R6060SMKFB-01** SURFACE MOUNTING BOX, 50MM DEPTH
- R6060SMKDN-01** SURFACE MOUNTING BRACKET
- RAMSUS-4W** 4 WIRE SUSPENSION KIT
- RAMSST** SAFETY BRACKET AND 2M STRAP
- R3EMPK-PSU** 3 HOUR EMERGENCY PACK

Standards & Approvals:

Complies with: EN 60598-2-1, EN 60598-2-2, EN 55015, EN 61000-3-2, EN 61000-3-3, EN 61547, EN 62471, EN 62493, EN 62384

Cone Illuminance Diagram:

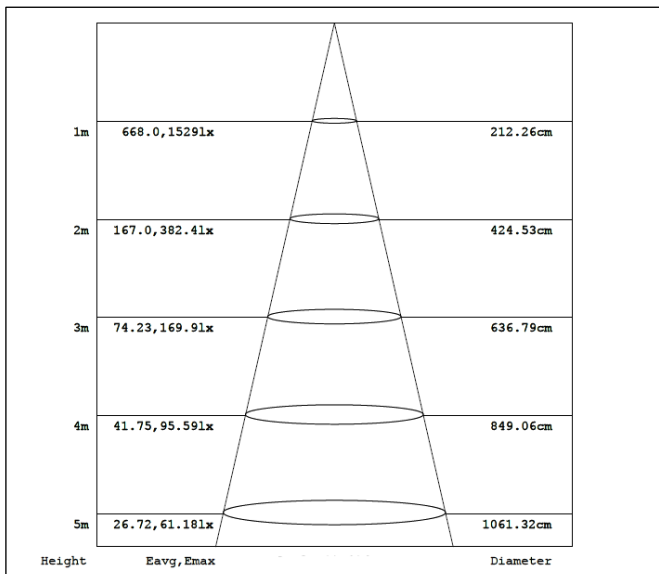
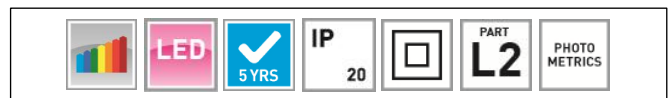


Diagram for RSP305060UGR-01 in 5,000K. Other diagrams available on request



Polar Intensity Diagram:

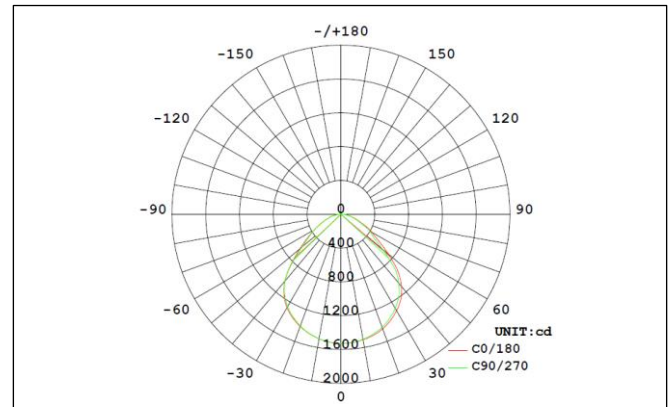


Diagram for RSP305060UGR-01 in 5,000K. Other diagrams available on request