

DOWNLIGHTS

ROBUS®

TAYLOR 9W, CCT SELECTABLE 3000K, 4000K AND 6500K, DIMMABLE, IP44 LED DOWNLIGHT

The new Robus TAYLOR LED downlight is a great looking fitting, "dimmable as standard", and IP44 rated. With selectable CCT's of warm, neutral or daylight white and opal diffuser, it provides a low glare, uniform and shadow free light and is particularly suitable where use of the lit space has not been finalised at installation stage or where use of the lit space might change in the future



Applications:

- Domestic dining, living, bathroom and bedroom spaces
- Hotel & Office reception areas
- Shops and other retail premises
- Pubs, clubs and restaurants
- Complimentary lighting in meeting or function rooms

Construction:

PA66 Nylon coated Aluminium housing
Polycarbonate trim & Opal diffuser
Steel spring clips

Features and Benefits:

- The Taylor is a complete downlight kit with slim white and brushed chrome trims included to match or contrast most décors
- The fitting is pre-wired with 0.25m of flex and 2 pole push-in spring terminal connector block with integral cable clamp facility making installation fast and simple. Having two terminals per pole allows for loop in/loop out to other fittings on the same controlled circuit
- An opal polycarbonate diffuser is employed which provides a soft light for low glare whilst allowing maximum lumen transmission
- The plastic coated die-cast aluminium body provides maximum thermal conductivity to dissipate heat for long LED and driver life
- Strong nylon covered ceiling springs ensure the fitting is pulled up close to the ceiling with no unsightly gaps
- A wide flange with shallow depth of only 65mm makes the Taylor ideal for retro-fit to cover existing holes and installation in shallow ceiling voids
- Using solid state technology, the fitting
 - Emits very little heat - reducing air conditioning costs
 - Has no "warm-up" or "cool-down" time to ensure instant visibility and can be used with sensors or photocells for automatic control
 - Is rugged with no filaments to prematurely fail due to knocks, building vibration or extreme temperature change
- The downlight utilises high quality SMD LED's for:
 - High luminous flux to reduce the number of fittings used
 - Low power consumption and running costs
 - High efficacy to take advantage of efficacy incentives
 - Long life so no regular inconvenient lamp failures or changes; important in retail shop installations
- The fitting has a CCT selectable function using a 3 position switch on the rear. This provides a choice of warm, neutral or daylight white light colour to be selected, depending on the use of the lit space
- Having an Integral dimmable driver means there is no separate driver to find location for and is compatible with a range of dimmer switches, a list of which is available to download from robus.com

This makes it ideal as a retrofit solution with existing dimmer switches and systems
- The combined functionalities of selectable Colour Temperature and Dimming means the light level can be set to a subtle low level ambience, or to bright cool for task or general lighting
- There is no Infrared or Ultra-violet in the light beam which means there is no heat to burn if touched by children and is ideal for displays as it will not fade or damage sensitive goods
- Our Robus 3 year warranty is included with no forms or internet registration required to provide simple, straight forward piece of mind

PLEASE NOTE: INFORMATION IN THIS DOCUMENT MAY BE SUBJECT TO CHANGE WITHOUT PRIOR NOTICE

IRE: TEL: +353 1 709 9000
AUS: TEL: +61 7 3890 5444

WEB: WWW.ROBUS.COM
WEB: WWW.ROBUS.COM.AU

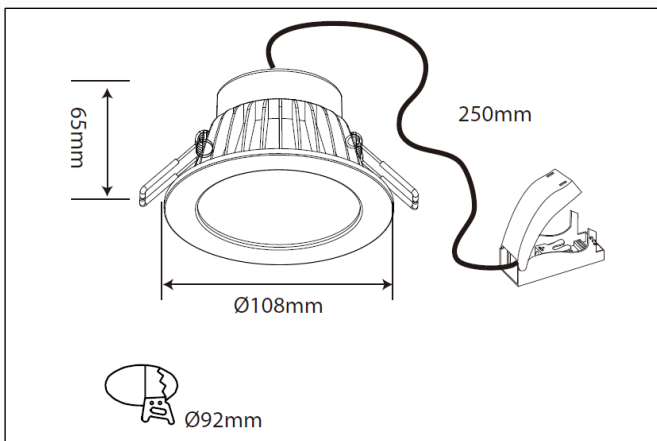
LED GROUP EUROPE · AUSTRALIA · ASIA · MIDDLE EAST · AFRICA

DOWNLIGHTS

ROBUS®

TAYLOR 9W, CCT SELECTABLE 3000K, 4000K AND 6500K, DIMMABLE, IP44 LED DOWNLIGHT

Product Code:	RC9W923
Comparable to:	50W halogen
Total Power (W):	7.2/7.1/7.2
Total Light Output (lm):	650/730/700
Illuminance at 1m (lux):	280/310/300
Beam Angle (deg):	100
CCT (K):	3,000/4,000/6,500
CRI (Ra):	80
Efficacy (lm / cctW):	92/104/98
Rated Life (hrs):	30,000
Warranty (yrs):	3
Ingress Protection (IP):	44
Operating Temperature (°C):	-20 ≤ Ta ≤ +40
Operating Voltage (Vac):	220-240
Power Factor (PF):	0.9
Diameter (mm):	108
Cut out (mm):	92
Depth (mm):	65
Projection (mm):	3
Box Qty:	1
Weight (kg):	0.28



Standards & Approvals:

Complies with: EN 60598-1, EN 60598-2-2, EN 62471, EN 62493, EN 55015, EN 61000-3-2, EN 61000-3-3, EN 61374-1, EN 61374-2-13, EN61547, EN62031

Cone Illuminance Diagram:

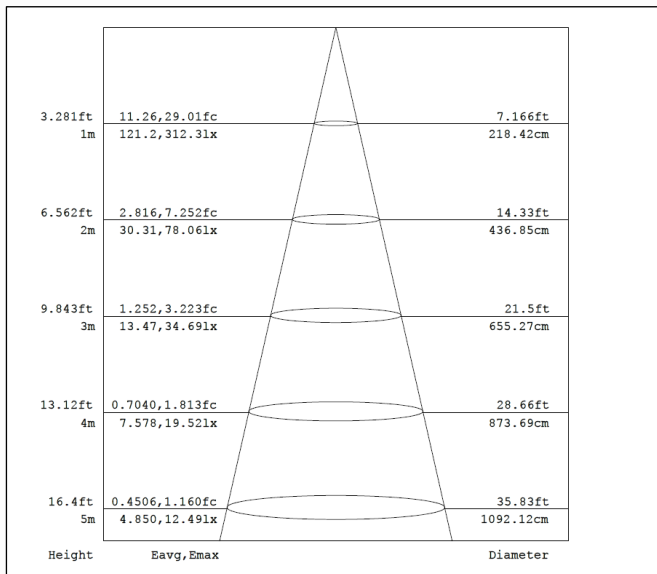
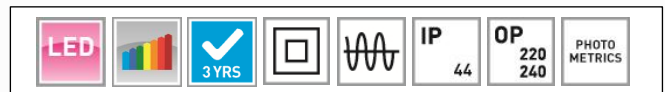


Diagram for RC9W923-01 in 4,000K. Other diagrams available on request

PLEASE NOTE: INFORMATION IN THIS DOCUMENT MAY BE SUBJECT TO CHANGE WITHOUT PRIOR NOTICE

IRE: TEL: +353 1 709 9000
AUS: TEL: +61 7 3890 5444

WEB: WWW.ROBUS.COM
WEB: WWW.ROBUS.COM.AU



Polar Intensity Diagram:

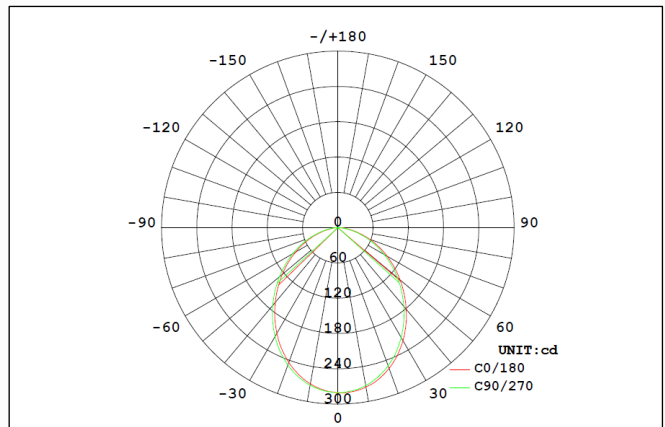


Diagram for RC9W923-01 in 4,000K. Other diagrams available on request