

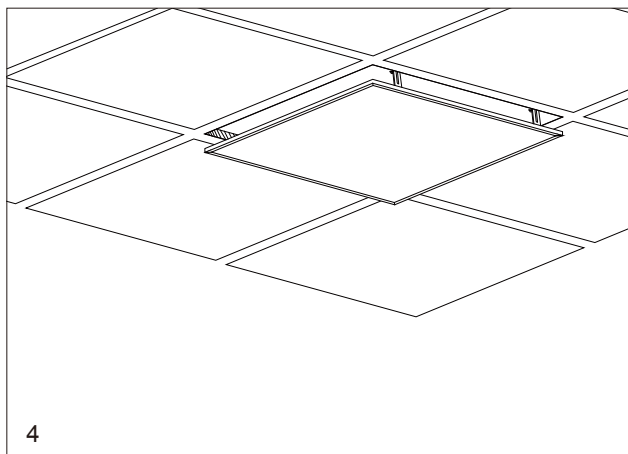
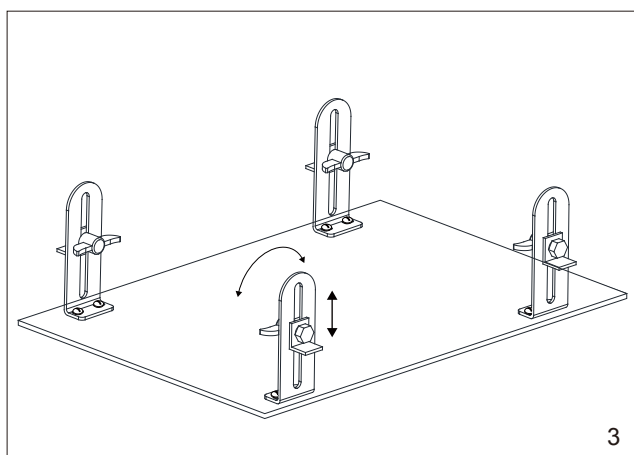
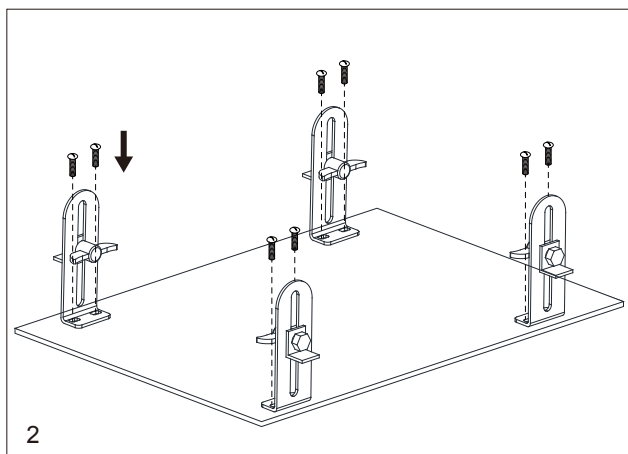
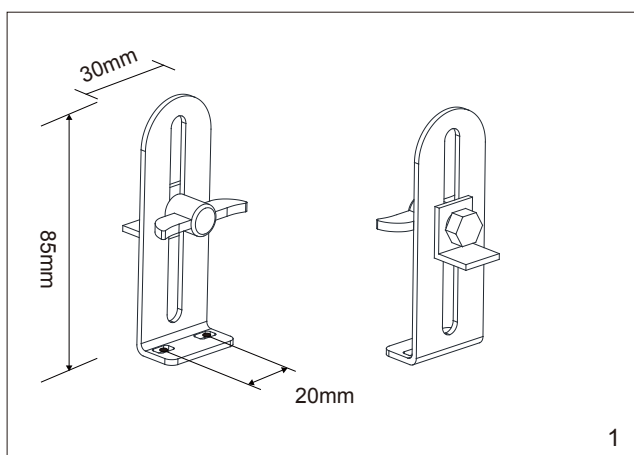
PANEL ADJUSTABLE SUSPENSION BRACKETS

RPLBRK-01

PLEASE READ INSTRUCTION BEFORE COMMENCING INSTALLATION AND RETAIN FOR FUTURE REFERENCES. ! Electrical products can cause death or injury, or damage to property. If in any doubt about the installation or use of this product, consult a competent electrician. Note: Product technical information and specification may change over time without prior notification. For the latest technical information please visit our web site www.ledgrouprobust.com or www.ledgrouprobust.com.au or ideal.co.nz

Installation diagram

1. Ensure mains supply is switched off before commencing work.
2. Remove existing 600 x 600mm suspension tile from the ceiling.
3. Ensure the area above the fitting is free from obstacle pipes cable tray etc.
4. Fix the brackets on the back of the panel as per image 2, ensure brackets are secure.
5. Adjust the height of the bracket to suit the ceiling type. Ensures all 4 brackets are the same height.
6. Make supply connections as per fitting instruction manual.
7. Ensure the connections going to and from the driver are secure.
8. Place connector, drivers and cable into the ceiling void.
9. Offer luminaire up to the ceiling void and manoeuvre into final position similar to standard ceiling tile.



LED Group

Western Retail Park
Nangor Road
Dublin 12
Ireland
Issue 1 251017

Tel: +353 1 7099000
Fax: +353 1 7099060
Email: info@led.com
Website: www.led.com

LED Group ROBUS Australia
9/210 Queensport Road North
Murarrie
QLD 4172
Australia

Tel: +61 73893 1488
Fax: +61 73112 1927
Email: purchases@ledgrouprobust.com.au
Website: www.ledgrouprobust.com.au

