

**ATMOS IP20 TP_b RATED LED PANEL LIGHTS
C/W FAST FIX INCOMING PUSH FIT CONNECTOR**

This great quality, TP_b rated, high specification range of panels deliver excellent performance providing substantial energy savings for fast ROI. They replace traditional T8 and T5 lay-in modulars to provide energy efficient, but perhaps more importantly, low-maintenance solutions where constant replacement of fluorescent tubes can be avoided. The Thermoplastic rating of these panels reduce the risk of fire spread within a building.



Applications:

- Offices
- Hospitals & Health Centres
- Shops
- Hotels
- Schools & Colleges
- Receptions
- Inspection areas

Construction:

White powder coated aluminium frame
Thermo-plastic diffuser
Steel back plate

Features and Benefits:

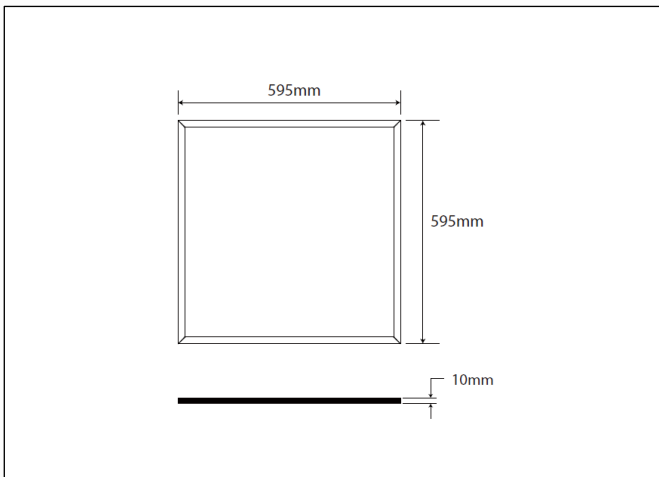
- Available in Warm or Neutral White colour temperature options provides the light colour most suitable for the use of the lit space while providing a common aesthetic throughout
Warm white for a more relaxing breakout area with neutral white for task and other workspaces
- They are slim with clean stylish lines with a white powder coat finish aluminium trim which ensures they always look good, and are easy to clean
- They are less likely to harbour germs or dirt. And also match most ceiling tile and grid T-bar colours
- They utilise high quality SMD LED's tested to IES LM80 and IES TM21 to verify LED and Luminaire rated life, consistent lumen output and colour temperature, low energy consumption and high efficacy
- The fitting therefore provides low maintenance cost with no lamp changes, more light per watt than many similar LED fittings available, comparable light output to T5 so is a one for one replacement and provides compliance with current & future efficacy legislation
- There is a universal DALI, Analogue and SwitchDim driver accessory available to provide functional dimming or greater energy savings through daylight harvesting
- For those requiring integral emergency lighting, a long life high output LiFePO4 emergency pack is available to allow safe traverse and exit of the building on power failure
This provides around 2,000 charge cycles compared to around 500 for NiCd or NiMh
- A high quality PP thermoplastic diffuser ensures that light transmission is maximised into the lit space and provides a TP_b rating to comply with fire regulations in commercial buildings. It also reduces glare allowing the fittings to comply with the UGR required for small offices and corridors
- Utilising solid-state lighting technology with no heat filaments or electrodes, they are less susceptible to failure due to building vibration caused by traffic or hot to cold temperature changes
- "Instant on" and no cool down period means they can be switched by microwave, PIR and/or photocell which provides even greater energy savings when lighting is not required. Short time switching reduces life of traditional light sources
- Advanced driver architecture design provides a low flicker light output to reduce eye discomfort and fatigue and associated headaches or drowsiness for more susceptible people
- To aid mounting, a range of surface mount boxes, recess kits and suspension solutions are available for solid, apex or suspended ceiling applications
- A three pole terminal block with integral cable restraint for safety is included. It utilises push in spring terminals for fast and simple termination which provide constant spring pressure on the conductors to ensure there aren't any loose connections
Additionally, two terminals per pole allow loop in, loop out to other fittings

PLEASE NOTE: INFORMATION IN THIS DOCUMENT MAY BE SUBJECT TO CHANGE WITHOUT PRIOR NOTICE

IRE: TEL: +353 1 709 9000 WEB: WWW.ROBUS.COM
AUS: TEL: +61 7 3890 5444 WEB: WWW.ROBUS.COM.AU

ATMOS IP20 TP_b RATED LED PANEL LIGHTS
C/W FAST FIX INCOMING PUSH FIT CONNECTOR

Product Code:	RAM40306060X-01	RAM40406060X-01
Comparable to:	4x18W	4x18W
Total Power (W):	38.1	38.3
Total Light Output (lm):	3,390	3,800
Emergency Mode Light Output (lm):	300	550
Efficacy (lm / cctW):	89	99
Rated Life (hrs):	50,000	50,000
Warranty (yrs):	5	5
Illuminance at 1m (lux):	1,070	1,310
Emergency Mode Illuminance at 1m(lx):	80	160
Beam Angle (deg):	110	110
CCT (K):	3,000	4,000
CRI (Ra):	80	80
Ingress Protection (IP):	20	20
Impact Rating (IK):	IK05	IK05
Operating Temperature (°C):	-20 ≤ Ta ≤ +40	-20 ≤ Ta ≤ +40
Power Factor (PF):	0.97	0.97
Length (mm):	595	595
Width (mm):	595	595
Depth (mm):	10	10
Box Qty:	1	1
Weight (kg):	2.0	2.0



Accessories:

- R3EMPK4-PSU** LiFePO4 PLUG AND PLAY EMERGENCY PACK
- HED2040-D** DALI, 1-10V, SWITCHDIM DRIVER
- R6060SMKFB-01** 600x600MM SURFACE MOUNT BOX
- R1230SMKFB-01** 300x1200MM SURFACE MOUNT BOX
- RAMSUS-4W** 4 WIRE SUSPENSION KIT FOR 600x600MM
- RAMSUS-3W** 3 WIRE SUSPENSION KIT FOR 300x1200MM
- RAMSST** SAFETY BRACKET AND 2M STRAP
- RAMRC** PLASTER BOARD RECESSED CLIPS KIT

Standards & Approvals:

Complies with: EN 60598-2-1, EN 60598-2-2, EN 55015, EN 61000-3-2, EN 61000-3-3, EN 61547, EN 62471, EN 62493, EN 62384

Cone Illuminance Diagram:

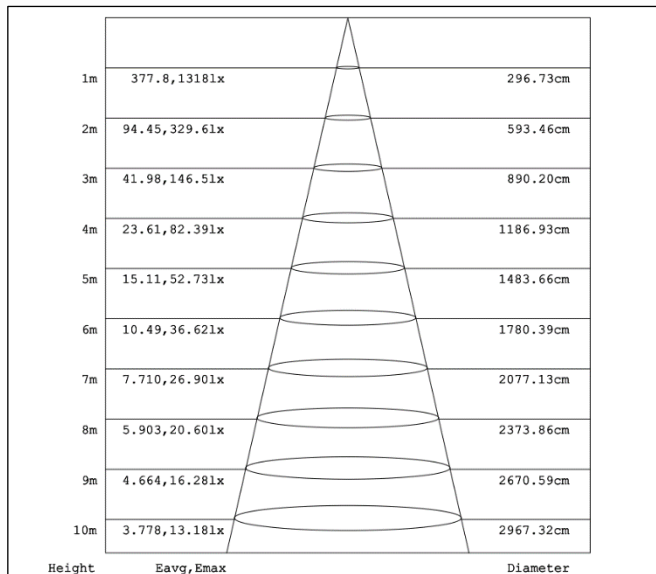


Diagram for RAM40406060-01 in 4,000K. Other diagrams available on request



Polar Intensity Diagram:

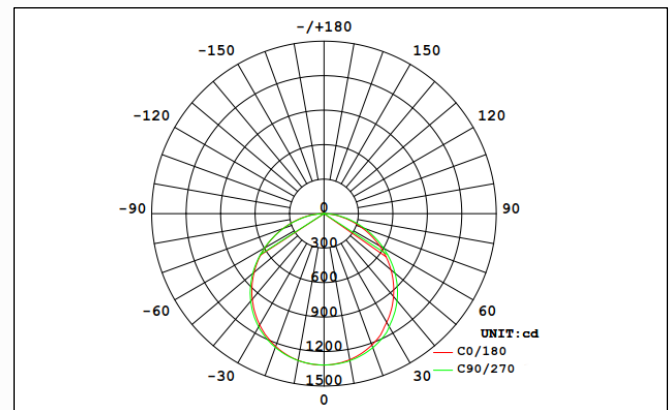


Diagram for RAM40406060-01 in 4,000K. Other diagrams available on request

PLEASE NOTE: INFORMATION IN THIS DOCUMENT MAY BE SUBJECT TO CHANGE WITHOUT PRIOR NOTICE

IRE: TEL: +353 1 709 9000 WEB: WWW.ROBUS.COM
 AUS: TEL: +61 7 3890 5444 WEB: WWW.ROBUS.COM.AU