

COMMERCIAL
SUN CIRCULAR IP20 LED PANEL

ROBUS®

These clean looking, slim profile, circular fittings are quick and simple to install and provide exceptional lighting performance, reliability and longevity. Utilising our tried and tested Edge-lit LED & Honeycomb light-guide technology to provide low glare indirect light, high efficacy values are achieved to make these fittings ideal for all types of lighting applications.



Applications:

- Commercial Offices and Corridors
- Hotel Function Rooms & Receptions
- Health Centre Waiting Rooms
- Bars & Restaurants
- Shops
- Retail showrooms

Construction:

- Die cast aluminium bezel and body
- Pressed steel back plate
- Opal diffuser
- Steel spring clips

Features:

- Range of 5 Wattages & diameters
- Emergency, DALI or Analogue dimmable available
- White chamfered trim

- Slim profile body

- Opal diffuser with honeycomb light guide

- Die-cast aluminium body with integrated heat sink

- Utilises high quality surface mount 2835 SMD edge mounted LED technology which provides:
 - Exceptional indirect light output
 - Very low power consumption
 - Long Rated LED Life

- Cool running with little Infra-red or Ultra-violet

- Available in a Warm and Neutral white colour temperature with high CRI

- Rugged solid state technology

- Plug & play connection:
- Fitting has factory pre-wired male jack
- High quality driver pre-wired with:
 - Mains side 1m flex
 - Secondary side female twist and lock jack connector

Benefits:

- A full range for all building types, applications and room sizes
- Provides functional dimming or Daylight Harvesting energy saving
- Clean looking with virtually no projection below the ceiling
- The light appears to be emitted direct from the ceiling surface

- Fits within the thickness of the ceiling
- Ideal for shallow voids or where there are numerous other services

- Provides wide, uniform, indirect light, reducing discomfort glare associated with lower specification LED or traditional light sources

- Dissipates heat from the LED's to enhance LED and luminaire life
 - Compared to Compact Fluorescent:
 - Light output and colour is consistent over life
 - Comparable light output so a point for point replacement
 - Low energy consumption makes energy savings of up to 43% so reduces the buildings carbon footprint
 - Provides efficacies of ≥ 170 luminaire lumens/circuit watt
 - No maintenance costs or inconvenient disruption as is the case when traditional lamps are replaced

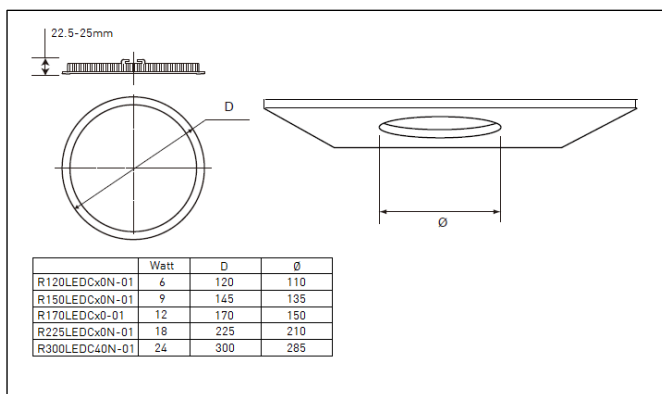
- No heat emitted so less cost for air conditioning in hot weather
- Will not tarnish metals, fade garments or other sensitive materials

- Choice of CCT for a relaxing warm ambience or task oriented applications, both with superior colour rendition

- No heat filaments or electrodes and seals to fail unlike traditional light sources which are susceptible to failure due to building vibration and the process of heating and cooling cycles
- Can be switched by microwave, PIR and/or photocell to provide even greater energy savings when lighting not required

- Allows driver connection in ceiling void at early stage of installation
- Fast and simple Driver female jack to Light Fitting male jack connection can be completed at a later date after fit out by other trades, ensuring the fitting it is not scratched or damaged

Product Code:	3,000K: 4,000K:	R120LEDC30N-01 R120LEDC40N-01	R150LEDC30N-01 R150LEDC40N-01	R170LEDC30-01 R170LEDC40N-01	R225LEDC30N-01 R225LEDC40N-01	NA R300LEDC40N-01
Comparable to CFL:		13	18	18/24	2x18	2x26
Total Power (W):		6.2/6.0	9.5/9.3	11.3/11.2	19.9/19.6	23.6
Total Light Output (lm):		510/500	910/930	820/1,120	1,940/2,120	2,760
Efficacy (lm / cctW):		82/83	97/101	73/100	98/108	117
Illuminance at 1m (lx):		180/180	320/330	280/390	710/780	1,010
Beam Angle (deg):		110	110	110	110	110
CCT (K):		3,000/4,000	3,000/4,000	3,000/4,000	3,000/4,000	4,000
CRI (Ra):		80	80	80	80	80
Rated LED Life (hrs):		30,000	30,000	30,000	30,000	30,000
Warranty (yrs):		3	3/3	2	3	2
Ingress Protection (IP):		20	20	20	20	20
Impact Rating (IK):		08	08	08	08	08
Operating Temperature (°C):		-20 ≤ Ta ≤ +40	-20 ≤ Ta ≤ +40	-20 ≤ Ta ≤ +40	-20 ≤ Ta ≤ +40	-20 ≤ Ta ≤ +40
Output Current (mA):		0.29	0.31	0.3	0.5	0.63
Operating Voltage (Vac):		220-240	220-240	220-240	220-240	220-240
Power Factor (PF):		0.5	0.5	0.9	0.95	0.95
Cut Out (mm):		110	135	150/160	210	285
Diameter (mm):		120	145	170	225	300
Depth (mm):		22.5	22.5	25	25	25
Box Qty:		1	1	1	1	1
Weight (kg):		0.2	0.28	0.24/0.32	0.55	0.7



Cone Illuminance Diagram:

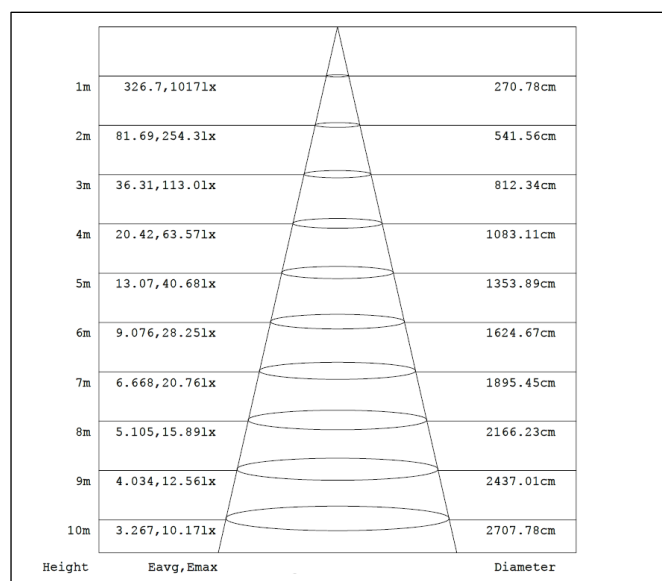


Diagram for R300LED40N-01. Other diagrams available on request

Accessories:

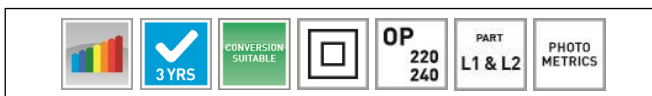
- R18DIM-PSU 18W Dimmable Driver
- R24DIM-PSU 24W Dimmable driver

Options via Conversions:

- Add postscript in **RED** to standard part code
- Postscript Option
 - RxxxLEDC40N-01E Std + Emergency
 - RxxxLEDC40N-01AD Std + Analogue Dimmable
 - RxxxLEDC40N-01ADE Std + Analogue Dimmable + Emergency
 - RxxxLEDC40N-01DD Std + DALI Dimmable
 - RxxxLEDC40N-01DDE Std + DALI Dimmable + Emergency

Standards & Approvals:

Complies with: EN 60598-1, EN 60598-2-2, EN 62471, EN 62471-2, EN 62778, EN 62493, EN 55015, EN 61000-3-2, EN 61000-3-3



Polar Intensity Diagram:

